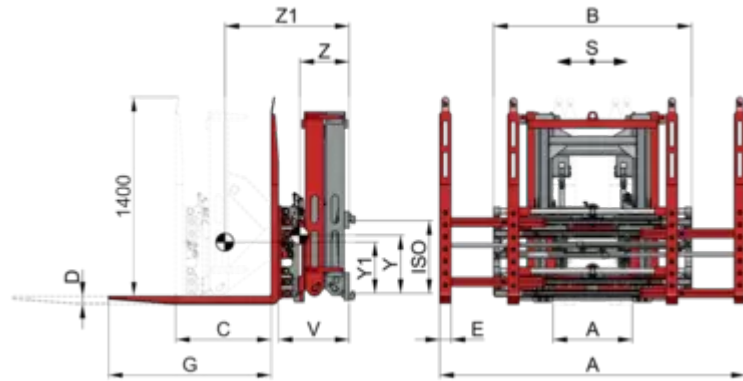


Double Pallet Handler on a Pantograph T429/T149Z

with independent sideshift –



Specification:

The combination of the well known KAUP Multi Pallet Handler with a Pantograph T149Z creates an attachment with a multitude of application possibilities. It makes speedy loading of lorries or wagons from the side possible as well as loading and unloading double deep storage racks. As with all other KAUP Multi Pallet Handlers, the Double Pallet Handler with Pantograph type T429C/T149Z has a durable and reliable construction with a minimum of required maintenance with maximum operation.



Multi Pallet Handling: 1 or 2 pallets next to each other.



Attachment requires more than two additional hydraulic functions in order to operate. In this case one of the hydraulic circuits is split by use of a solenoid valve which is part of the attachment.



Attachment has separate sideshift as standard. The maximum allowable sideshift stroke (e.g. ± 100 mm) is always available independent of fork or arm position (with clamps or fork positioners).



Please note the additional information below the data table.



Double Pallet Handler on a Pantograph T429/T149Z

Technical specifications

Model																
2T429C/2T149Z	1.950	600	±100	560-1.960	1.200	50	80	1.150	620	3	575	435	902	363	330	980
2T429C/3T149Z	2.500	600	±100	560-1.960	1.200	50	80	1.150	750	3	500	348	873	412	363	1.220



Qualities:

- Good visibility conditions
- Synchronized for quicker working speeds
- Independent sideshift serially
- Screw-on forks serially



- Fork length optional 1200 mm, 1150 mm or 1000 mm.
- Locating claw on fork tip available upon request.
- Wider fork shanks available upon request.

Product Images

