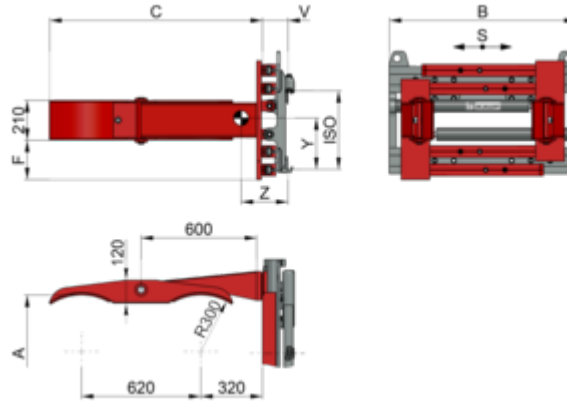


Drum Clamp T415-2

with independent sideshift - for cylindrical steel drums - 2 hydraulic functions



Specification:

The KAUP Drum Clamp T415-2 can transport two (one in front of the other) or four drums (pre and side by side) safely and without palletes. Therefor the clamp arms are serially vulcanised with rubber.

Technical specifications

Model													
1,5T415-2	2-4	1.250	630	±100	370-1.550	970	1.105	195	2	133	255	266	310
1,5T415-2	2-4	1.250	630	±100	370-1.550	970	1.105	195	3	133	255	266	310
2T415-2	2-4	2.000	630	±100	370-1.670	1.130	1.105	195	2	143	245	264	350
2T415-2	2-4	2.000	630	±100	370-1.670	1.130	1.105	195	3	143	245	264	350



Qualities:

- Low lost load - good residual capacity
- Good visibility conditions
- Stable construction
- Independent sideshift serially



- The arms are coated with Remagrip (see coatings in the pricelist).
- Fitted with pressure reduction and manometer gauge.C1160
- Available with arms for plastic drums upon request.
- This version is for cylindric drums with diameter of 600 mm. For other diameters on request.
- Also available without sideshift, model T405-2
- Load Backrest see model T179.

Product Images

