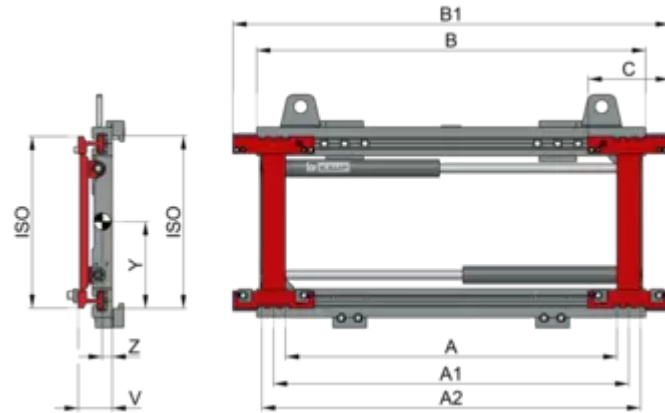


## Fork Positioner for reach trucks T160B

Without sideshift - Attachment without forks - forks in accordance with ISO 2328



### Specification:

KAUP, as leading manufacturer of attachments, also has a comprehensive range of attachments for Reach Trucks. The Fork Positioner type T160B is one of them. Individual details regarding wheel arms and ground clearance as well as the possible width of the attachment and other technical details make Reach Trucks very complex. Therefore it is advisable to contact our specialists directly for an individual consultation regarding our attachments and accessories for Reach Trucks.



Attachment is serially designed without sideshift. It can be fitted with separate or valveblock sidesift upon request.



Attachment is operated hydraulically, i.e. supplied with oil from the forklift truck's hydraulic system. Truck requires one additional hydraulic function.



Attachment can be fitted with load backrest model T479. The load backrest model T479.1 is suitable for fork positioners T160B and T466B up to 4.8T.



Attachment supplied serially without forks. All forks in accordance with ISO 2330 can be used. Matching forks model T180 are available.



# Fork Positioner for reach trucks T160B

## Technical specifications

Model														
2T160B	2.080	600	150-410	250-510	320-580	750	750	240	120	2	96	33	234	100
2T160B	2.080	600	180-440	250-510	350-610	750	750	240	120	2	96	33	234	100
2T160B	2.080	600	150-550	250-650	320-720	750	890	240	120	2	96	33	234	100
2,5T160B	2.500	600	150-410	250-510	320-580	750	750	240	120	2	96	30	246	105
2,5T160B	2.500	600	180-440	250-510	350-610	750	750	240	120	2	96	30	246	105
2,5T160B	2.500	600	150-550	250-650	320-720	750	890	240	120	2	96	30	245	105



## Qualities:

- Hook-on Fork Positioner for Reach Trucks
- Very good residual capacity
- Excellent visibility



- Not suitable for clamping between the forks.
- Also available with valveblock sideshift.
- Load backrest see model T479 and T479.1
- Forks see model T180.

## Product Images