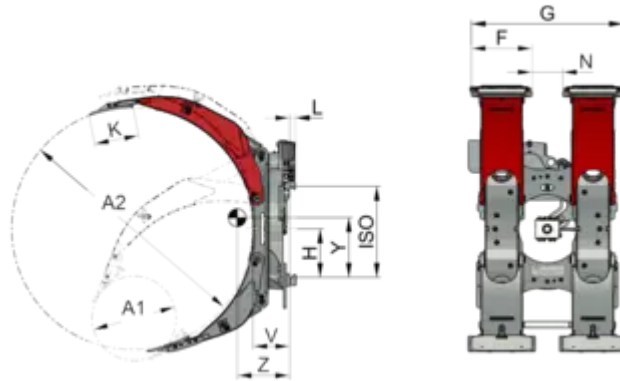


Rotating Roll Clamp T458BC-2

360° rotation continuous - short arm fixed - 2 hydraulic functions



Specification:

With the view-optimised designed KAUP Rotating Roll Clamp T458BC-2 all kinds of roles can be taken up carefully and be advanced. The contact pad of this attachment is divided and allows in such a way that at the same time two rolls - also with different diameters - can be transported stacked. This makes this attachment everywhere invaluable where the handling of paper rolls, concrete tubes and similar one is essential.



Attachment rotates hydraulically by 360° endless in both directions.



Attachment is operated hydraulically, i.e. supplied with oil from the forklift truck's hydraulic system. Truck requires two additional hydraulic functions.



Attachment is serially designed without sideshift. It can be fitted with separate or valveblock sidesift upon request.



Attachment can be fitted with different types of contact pad surfaces specifically suited to the application.



Attachment is available restricted to 180° rotation.

Technical specifications

Model																
1T458BC-2	1.200	675	440-1.350	300	700	211	250	31	100	3.760	4,8	2	195	301	300	418
1,5T458BC-2	1.550	675	440-1.350	300	700	211	250	31	100	3.760	4,8	2	195	300	302	419
1,5T458BC-2	1.500	725	470-1.450	300	700	211	250	31	100	3.760	4,8	2	195	314	310	426
2T458BC-2	2.400	675	430-1.350	340	850	270	250	31	170	4.810	6,1	2	203	345	274	540
2T458BC-2	2.000	800	460-1.600	340	850	270	250	31	170	4.810	6,1	2	203	358	296	579
2T458BC-2	1.750	915	510-1.830	340	850	270	250	31	170	4.810	6,1	2	203	362	321	601
2T458BC-2	2.400	675	430-1.350	340	850	272	250	32	170	4.810	6,1	3	203	358	270	550
2T458BC-2	2.000	800	460-1.600	340	850	272	250	32	170	4.810	6,1	3	203	370	292	588
2T458BC-2	1.750	915	510-1.830	340	850	272	250	32	170	4.810	6,1	3	203	373	316	611
3T458BC-2	3.200	675	450-1.350	340	850	338	250	34	170	5.590	7,1	3	207	244	424	668
3T458BC-2	2.800	800	500-1.600	340	850	338	250	34	170	5.590	7,1	3	207	268	435	713
3T458BC-2	2.500	915	650-1.830	340	850	338	250	34	170	5.590	7,1	3	207	291	433	751
4T458BC-2	4.200	675	480-1.350	420	1.000	384	300	41	160	8.800	10,3	3	268	310	473	1.033
4T458BC-2	3.500	800	570-1.600	420	1.000	384	300	41	160	8.800	10,3	3	268	327	478	1.057
4T458BC-2	3.400	915	670-1.830	420	1.000	384	300	41	160	8.800	10,3	3	268	352	477	1.123
4T458BC-2	4.200	675	480-1.350	420	1.000	350	300	43	160	8.800	10,3	4	266	304	455	1.052
4T458BC-2	3.500	800	570-1.600	420	1.000	350	300	43	160	8.800	10,3	4	266	321	460	1.075
4T458BC-2	3.400	915	670-1.830	420	1.000	350	300	43	160	8.800	10,3	4	266	345	460	1.141
5T458BC-2	3.900	1.000	810-2.000	420	1.000	350	300	46	160	10.560	12,9	4	318	405	437	1.260

Model																
6T458BC-2	4.600	1.100	940-2.200	420	1.000	350	300	45	160	17.590	20,7	4	318	407	445	1.469



Qualities:

- Very good visibility conditions
- Favorable lost load and weight
- Solid, slender arm construction
- Different contact pad coatings available
- Rotation 360° endlessly
- Limitation on rotation 180° optionally
- Service friendly



- Optional: contact pad coatings (standard polyurethane coating Poly-1).
- Capacity related to max. roll diameter.
- For taking up horizontal rolls, 5-degree mast forward tilt is required.
- Optional: restricted to 180° rotation, Tissue version, short arm with continuous contact pads.
- Pressure plate coverings see under accessories.
- Attachment with sideshift Model T498BC-2 (add-on price).

Product Images

