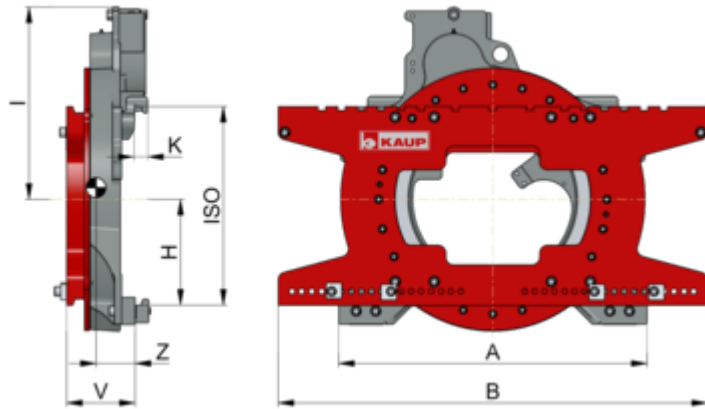
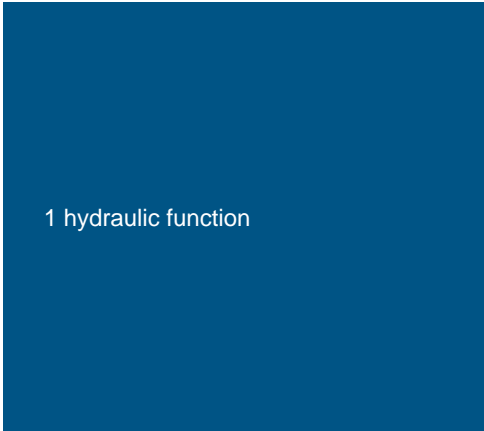


Rotator 360° endless T351



Specification:

The KAUP Rotator 360° endless T351 is the entrance in the world of the rotating attachments.

According to application case and customer wish the gear can be positioned at two different places. Differing lost loads and residual capacities are the results.



Attachment rotates hydraulically by 360° endless in both directions.



Attachment is serially designed without sideshift. It can be fitted with separate or valveblock sidesift upon request.



Attachment is operated hydraulically, i.e. supplied with oil from the forklift truck's hydraulic system. Truck requires one additional hydraulic function.



Attachment is available for operation in explosion hazardous areas.



Attachment supplied serially without forks. All forks in accordance with ISO 2330 can be used. Matching forks model T180 are available.



Please note the additional information below the data table.

Technical specifications

Model													
0,8T351.2 ¹⁾	1.200	500	860	890	203	278	33	2	4.226	5,3	156	94	165
0,8T351.2 ¹⁾	1.200	500	860	1.040	203	278	33	2	4.226	5,3	156	97	175
1T351.1	1.800	500	560	780	213	478	33	2	6.013	7,6	155	78	166
1T351.1	1.800	500	560	890	213	478	33	2	6.013	7,6	155	80	171
1T351.2	1.800	500	780	780	211	287	31	2	6.013	7,6	190	108	172
1T351.2	1.800	500	780	890	211	287	31	2	6.013	7,6	190	110	177
2T351.1	2.500	500	790	1.040	269	457	33	2	7.700	9,7	166	90	225
2T351.2	2.500	500	1.000	1.040	270	345	29	2	7.700	9,7	200	113	255
2,5T351.1	3.200	500	790	1.100	269	492	33	3	7.700	9,7	176	98	290
2,5T351.2	3.200	500	1.000	1.100	270	345	33	3	7.700	9,7	205	122	305
4T351.2	5.000	500	1.010	1.100	338	395	40	3	8.950	11,3	208	113	409
4,5T351.1	5.000	500	870	1.350	328	675	36	4	14.823	17,4	221	124	524
5T351.2	6.000	600	1.080	1.350	351	455	40	4	13.434	15,7	264	160	588
6T351.2	6.500	600	1.260	1.350	351	455	40	4	17.157	20,7	264	150	684
8T351.2	8.000	900	1.300	1.600	396	485	40	4	21.679	18,8	304	172	1.045



Qualities:

- Good visibility conditions
- Good residual capacity
- Rotation 360° endlessly
- Robust construction with gear drive
- Original forks usable
- Lateral supporting fork and load stabilizers optionally



- 1) Fork carriage plate closed.
- Rotator 0,8T351.2-SG available upon request.
- Rotators with higher rotating speeds available upon request
- Other fork carriage widths available upon request.
- Removable lateral supporting fork 800 mm available against add-on price
- Removable and foldable lateral supporting fork 800 mm available against add-on price
- Downhold T167 to empty metal grid boxes etc on request
- Matching forks for KAUP-Rotators on request.
- When forks are used in combination with a Rotator extremely high strain is applied to the lower fork angle when rotating a load which in turn strains the lower brackets.
- For this type of operation KAUP recommends forks with strengthened lower brackets. Strengthened lower brackets can be ordered for all ISO forks model T180.

Product Images

