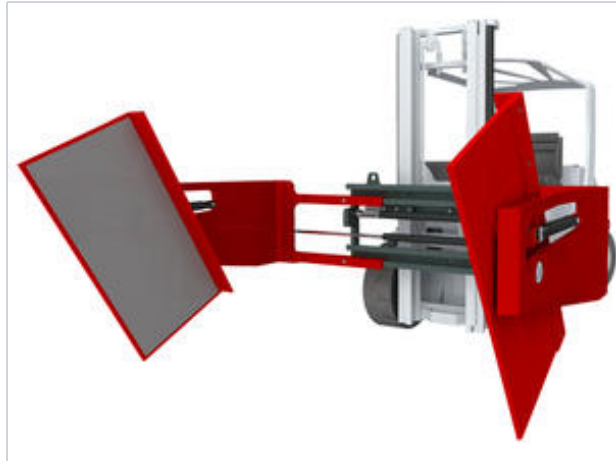
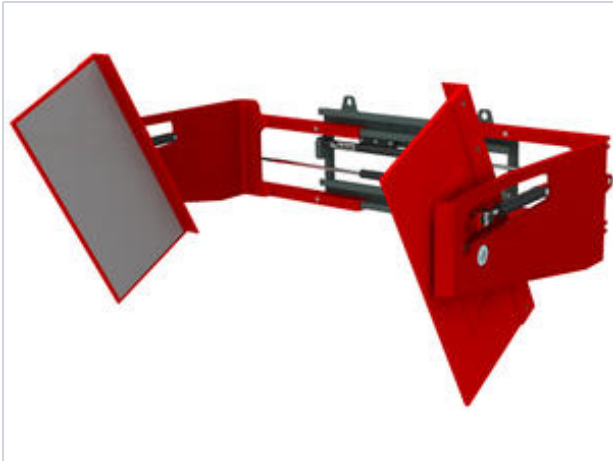


with independent sideshift - rubber coated arms - both arms 90° forward tipping - 2 hydraulic functions + solenoid valve

Technical Data

Model	Cap. kg	LCD mm	S mm	A mm	B mm	F mm	E mm	G mm	J mm	ISO	V mm	CofG Z mm	CofG _v Y mm	Weight kg	Price €
2T413G-2H	300	1.000	±100	540-2.160	1.260	1.200	102	580	1.000	2	143	670	265	790	On request
2T413G-2H	300	1.000	±100	540-2.160	1.260	1.200	102	580	1.000	3	143	670	265	790	On request

Add-on price for 100mm armlength / -height on request,
 For contact pad coatings see accessories in the pricelist.
 Also available without sideshift, model 2T403G-2H
 Load Backrest see model T179.



Specification:

With the KAUP Appliance Clamp tiltable 2T413G-2H it is possible to take up loading property and to set down 90° recumbent safely. Therefore, this attachment is suited especially to move stored goods or to load and unload truck, carriages and containers and to use, besides, the height optimally.

Qualities:

- Independent sideshift serially
- Contact pads of the clamp arms up to 90° hydraulically tiltable
- Load backrest optionally