

with independent sideshift - 2 hydraulic functions + 2 solenoid valves

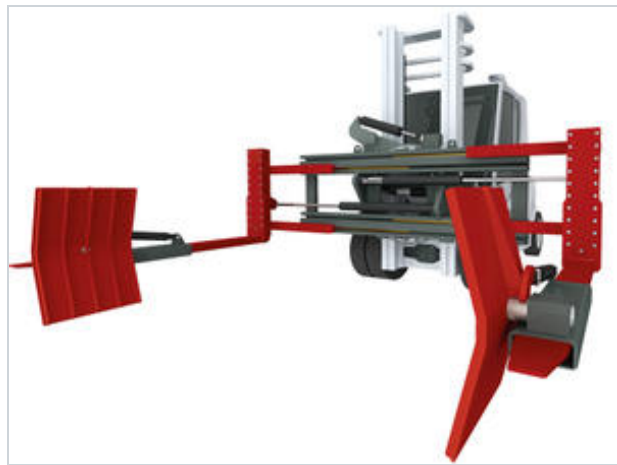
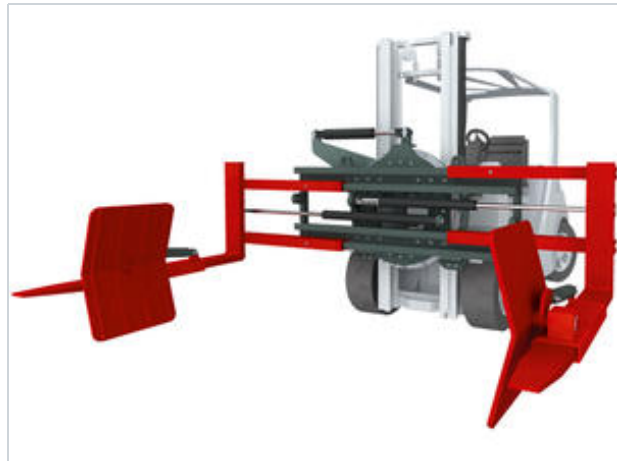
## Technical Data

Model	Cap. on forks kg	LCD mm	Cap. as clamp kg	LCD mm	S mm	A mm	Tyre diameter mm	B mm	D mm	E mm	G mm	H mm	ISO	V mm	CofG Z mm	Weight kg	Price €
2T421SV	2.300	500	1.050	1.120	±100	1.170-2.570	1.050-2.175	1.720	50	150	1.300	500	2	241	450	910	On request
2T421SV	2.300	500	1.050	1.120	±100	1.170-2.570	1.050-2.175	1.720	50	150	1.300	500	3	241	450	910	On request
3T421SV	3.000	500	1.400	1.100	±100	980-2.610	1.000-2.100	1.730	50	150	1.400	500	2	276	471	1.225	On request
3T421SV	3.000	500	1.400	1.100	±100	980-2.610	1.000-2.100	1.730	50	150	1.400	500	3	276	471	1.225	On request
4T421SV	3.600	500	1.600	1.200	±100	1.180-2.810	1.200-2.300	1.750	60	150	1.400	500	3	291	486	1.350	On request
4T421SV	3.600	500	1.600	1.200	±100	1.180-2.810	1.200-2.300	1.750	60	150	1.400	500	4	291	486	1.350	On request
5T421SV	4.500	600	2.000	1.450	±160	1.300-3.200	1.200-2.700	2.600	60	200	1.700	500	4	375	587	2.094	On request
6T421BSV	6.600	600	2.700	1.550	±160	1.300-3.500	1.200-2.900	2.900	70	200	1.800	600	4	385	620	2.555	On request
6,5T421BSV	7.600	600	3.000	1.525	±160	1.440-3.640	1.340-3.040	2.800	70	200	2.000	600	4	465	652	2.980	On request
8T421BSV	10.000	600	4.000	1.600	±150	1.400-3.600	1.300-3.050	2.800	80	200	2.000	600	4	520	658	3.600	On request
8T421BSV	10.000	600	3.800	1.750	±150	1.400-3.900	1.300-3.300	3.200	80	200	2.000	600	4	520	640	3.795	On request
10T421BSV <sup>1)</sup>	15.000	600	4.100	1.800	±200	1.470-4.270	1.400-3.600	3.300	90	250	2.100	600	-	590	705	4.500	On request
12T421BSV <sup>1)</sup>	15.000	600	5.100	1.800	±200	1.470-4.270	1.400-3.600	3.300	90	250	2.100	600	-	600	700	4.700	On request
15T221SV <sup>1)</sup>	15.000	600	5.000	2.150	±200	1.750-4.550	1.600-4.000	3.450	90	250	2.400	ø700	-	620	730	5.400	On request

10T and above - Terminal West / Pin-Type mounting available upon request.

Pads ± 90° tiltable available upon request.

1) At oil flow rates of over 80 l/min flow restriction valves are to be applied.



### Specification:

A special attachment: the KAUP Tyre Handler T421SV. It allows the trouble-free transport of colossal, heavy tyres and their assembly in mining, mines and building industry. Optionally the attachment can be also adapted to the application at very low temperatures.

### Qualities:

- Robust construction
- Solid and slender arm construction
- Independent sideshift and level balance serially
- Serially contact pads around 90° rotating