



Helping hands for your forklift truck

## Multi Pallet Handlers

T429C · T429B-1-2-3 · T429 · T419

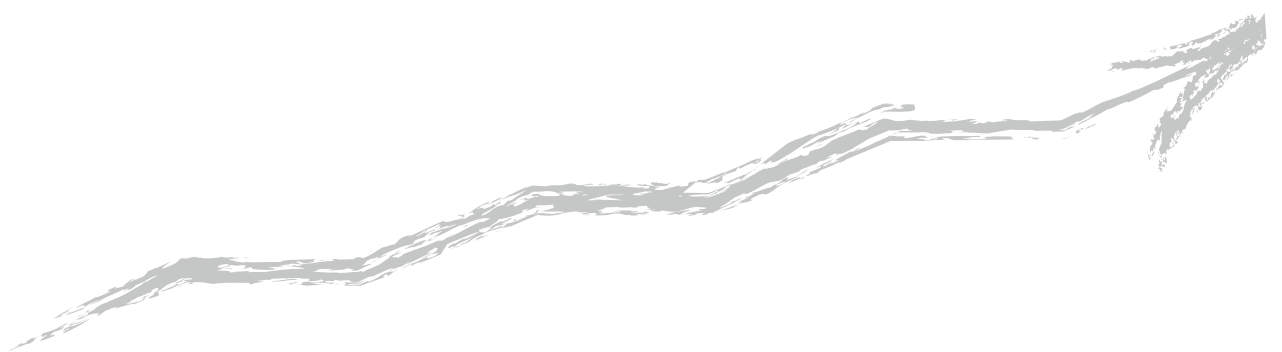


# Multi Pallet Handlers

**Multi Pallet Handlers** - also referred to as Multiple Load Handlers or Multiple Fork Positioners are used world-wide for internal transportation throughout almost every industry sector. They are normally used when several pallets or other uniform palletized goods need to be transported simultaneously. KAUP **Multi Pallet Handlers** are essential for efficient and productive intra-company logistics. KAUP is the best choice for efficient multi pallet handling, with its wide range of innovative **Multi Pallet Handlers** supplied from one single source.

Regardless if you are transporting one or eight pallets, with empty or full loads, or up to three pallets on a truck or trailer at one time - KAUP is your reliable partner in multi pallet handling. The innovative design of all KAUP **Multi Pallet Handlers** combine stability, even in heavy duty operation, with optimal visibility and increased handling performance.

KAUP's proven components include T-Profiles, C-Profiles and on some models round profiles. KAUP's advanced manufacturing techniques and quality materials ensure extended operating time for your attachments and a guaranteed long working life with maximum intervals between service checks and maintenance.



T429C



T429B-1-2-3



T419-4-8L

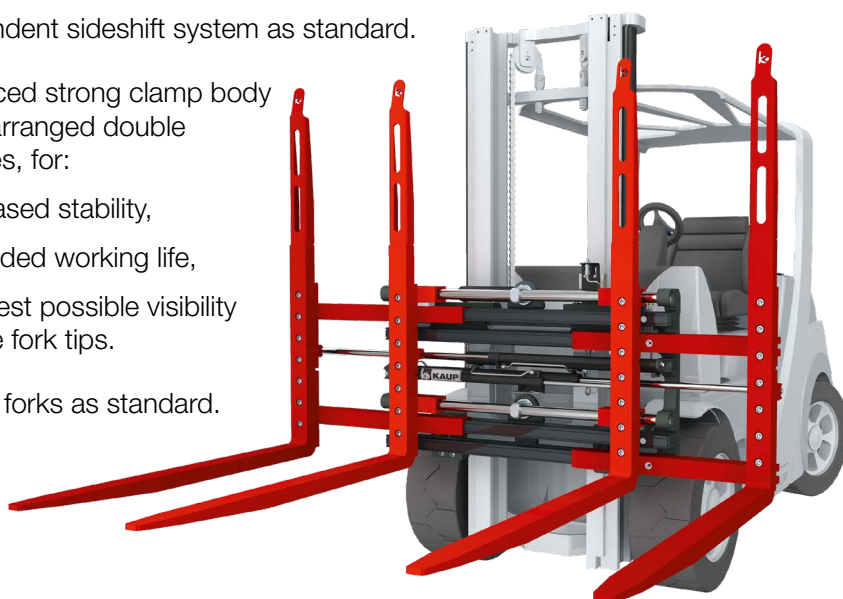


Innovative: The KAUP **Double Pallet Handler** T429C sets new standards with regards to lost load centre, residual capacity and visibility to the tips of the forks and load through and over the attachment.

The T429C is the best choice for transportation of 1 or 2 pallets side by side and/or 2 or 4 pallets positioned in front and next to each other.



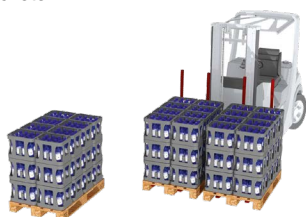
- Load backrest with recesses for additional stability and improved visibility.
- Shaft guides for the inner forks.
- Independent sideshift system as standard.
- Reinforced strong clamp body with rearranged double T-profiles, for:
  - increased stability,
  - extended working life,
  - the best possible visibility to the fork tips.
- Bolt-on forks as standard.



Technical details can be viewed online: [www.kaup.de](http://www.kaup.de).

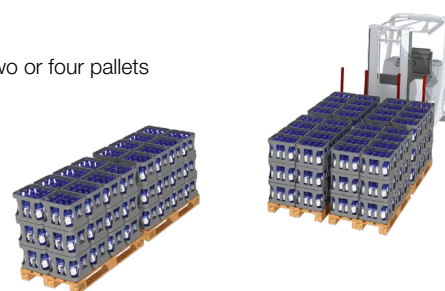
## Transporthandling\*

One or two pallets



Nominal Capacity of FLT [kg/mm]	KAUP Attachment Model	Load centre distance [mm]	Residual capacity [kg]
1.600/500	1.5T 429C	600	1.060
1.800			1.300
2.000			1.390
2.000/500			1.380
2.500	2T 429C (2.200/600)	600	1.790
2.000/500			1.325
2.500			1.740
3.000			2.165
3.500	2T 429C (2.500/600)	600	2.500
3.500/500			2.520
4.000			2.955
4.500			3.200
5.000/500	3T 429C	600	3.595
5.000/500			4.125
6.000/600			5.000

Two or four pallets



Nominal Capacity of FLT [kg/mm]	KAUP Attachment Model	Load centre distance [mm]	Residual capacity [kg]
2.500/500	2T 429C-4	1.200	1.000
3.000			1.250
3.500/500			1.500
4.000/500	3T 429C-4	1.200	1.695
4.500			1.975
5.000			2.240
5.000/600	3.5T 429C-4	1.200	2.500
4.500/600			1.960
5.000			2.230
5.000/600	4T 429C-4	1.200	2.585
5.000/600			2.475
6.000			3.195
7.000	6T 429-4	1.200	3.825
8.000			4.470
8.000/900			5.500

\*Further information on page 7 below

# T429B-1-2-3

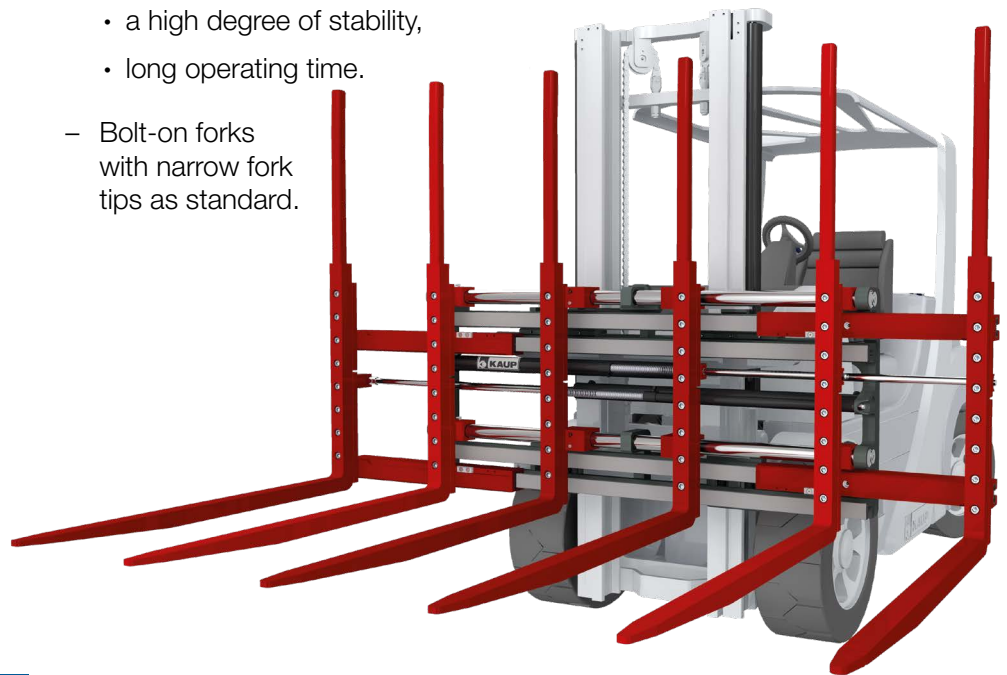


Versatile: The **Triple Pallet Handler** T429B-1-2-3 is characterized by its optimised visibility design which includes several small viewing windows and the narrow construction of shaft guides, T-profiles and C-Profiles. This makes the T429B-1-2-3 excel in its class with regards to lost load centre, residual capacity and visibility as well as synchronism and working speed, even in heavy duty applications.

The **Triple Pallet Handler** T429B-1-2-3 can handle up to three pallets side by side at one time.



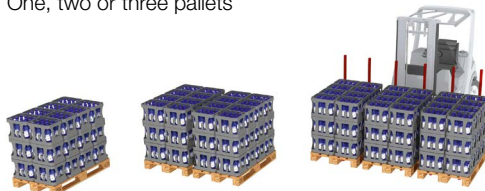
- Integrated load backrest for additional stability and improved visibility.
- Shaft guides for the inner forks.
- Independent sideshift system as standard.
- Stable, fully developed strong clamp body on the basis of a combination of C and T profiles for:
  - a high degree of stability,
  - long operating time.
- Bolt-on forks with narrow fork tips as standard.



Technical details can be viewed online: [www.kaup.de](http://www.kaup.de).

## Transporthandling\*

One, two or three pallets



Nominal Capacity of FLT [kg/mm]	KAUP Attachment Model	Load centre distance [mm]	Residual capacity [kg]
2.500/500	3T 429B-1-2-3	600	1.600
3.000			2.000
3.500			2.425
4.000/500	4T 429B-1-2-3	600	2.575
4.500			3.175
5.000			3.650
5.000/600	5T 429B-1-2-3	600	4.000

\*Further information on page 7 below

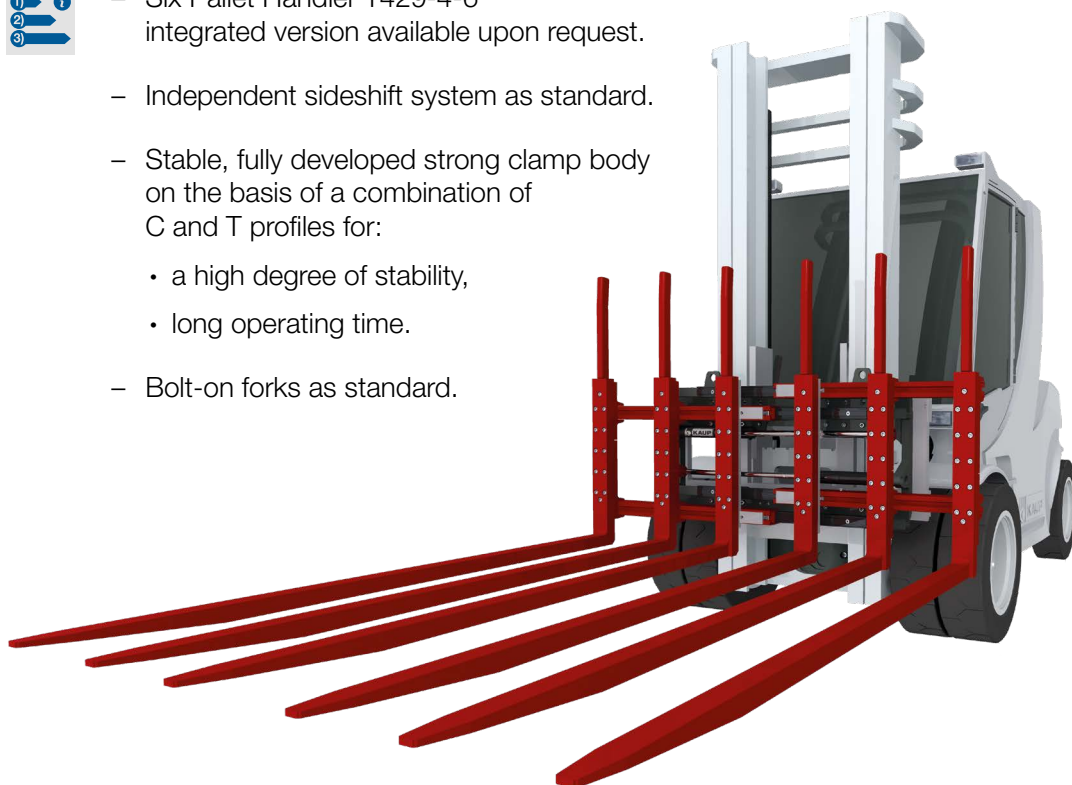


Advanced Technology: The **Six Pallet Handler** T429-4-6 is the lightest multi pallet handler in its class. The enhanced residual capacity can be used to transport four or six pallets simultaneously, even with full loads.


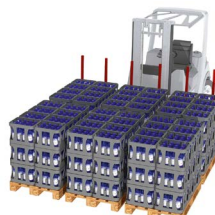
The Six Pallet Handler also has very good visibility, quick working speeds and boasts long intervals between service checks. The **Six Pallet Handler** T429-4-6 is an extremely efficient multi pallet handler which is often used for speedy stacking when loading onto the opposite side of trucks or trailers, as well as double stacking and unloading warehouse shelves.



- Six Pallet Handler T429-4-6 integrated version available upon request.
- Independent sideshift system as standard.
- Stable, fully developed strong clamp body on the basis of a combination of C and T profiles for:
  - a high degree of stability,
  - long operating time.
- Bolt-on forks as standard.



Technical details can be viewed online: [www.kaup.de](http://www.kaup.de).

<b>Transporthandling*</b>		Nominal Capacity of FLT [kg/mm]	KAUP Attachment Model	Load centre distance [mm]	Residual capacity [kg]
 	Four or six pallets	3.500/500	4T 429-4-6	1.200	1.225
		4.000/500			1.425
		4.500/500			1.775
		4.500/600			2.000
		5.000/500			2.025
		5.000/600			2.375
	6T 429-4-6	6.000/600	1.200	2.900	
		7.000		3.575	
		8.000		4.000	
		8.000/900		10T 429-4-6	1.200

\*Further information on page 7 below





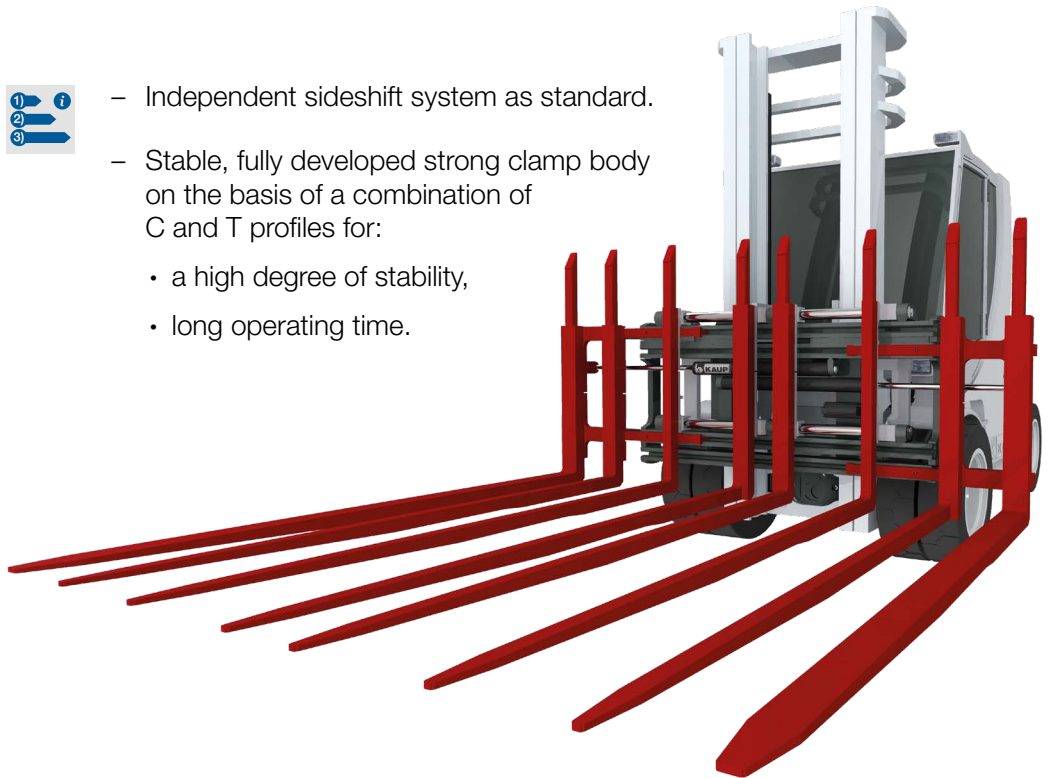
## Heavy Duty: The KAUP **Four-/Eight fold Pallet Handler**

T419-2-4/T419-4-8L is KAUP's largest multi pallet handler, used for a wide range of logistic requirements. It speeds up the loading and unloading time of trucks, trailers or warehouse shelves. This multi pallet handler can transport up to eight pallets at the same time even with full loads during demanding operational conditions.

The **Four-/Eight fold Pallet Handler** T419-2-4/T419-4-8L combines stability and durability with optimized visibility and offers longer operating times with extended intervals between service checks and maintenance.

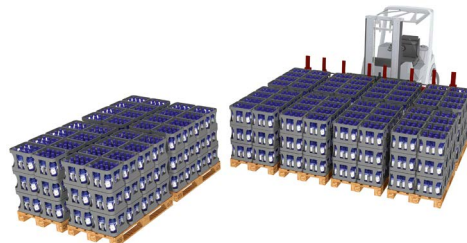


- Independent sideshift system as standard.
- Stable, fully developed strong clamp body on the basis of a combination of C and T profiles for:
  - a high degree of stability,
  - long operating time.



Technical details can be viewed online: [www.kaup.de](http://www.kaup.de).

<b>Transporthandling*</b>	Nominal Capacity of FLT [kg/mm]	KAUP Attachment Model	Load centre distance [mm]	Residual capacity [kg]
Four or eight pallets	7.000/600	4T 419-4-8L	1.200	3.375
	12.000/600	12T 419-4-8	1.200	6.040
	14.000/600			7.460
	15.000/600			8.000



\*Further information on page 7 below



Compatible: The solid design of the **Pantograph** T149Z can be combined with a **Double Pallet Handler** T429C or a **Triple Pallet Handler** T429B-1-2-3. This opens up a wide range of transportation applications. The combination of multi pallet handler and pantograph can, for example, be used to load or unload up to three pallets simultaneously from warehouse shelves, trucks or trailers.



- Load backrest with recesses for additional stability and improved visibility- T429C/T149Z.
- Shaft guides for the inner forks - T429C/T149Z.
- Durable scissor system with improved visibility.



Technical details can be viewed online: [www.kaup.de](http://www.kaup.de).

## Transporthandling

	Nominal Capacity of FLT [kg/mm]	KAUP Attachment Model	Load centre distance [mm]	Residual capacity [kg]
One or two pallets to the opposite side of a trailer	4.000/500	2T429C/2T149Z	600+1.200	1.245
One, two or three pallets to the opposite side of a trailer	4.500			1.500
	5.000			1.700
ISO3	5.000/600			1.950
	5.000/500	2T429C/3T149Z	600+1.300	1.510
ISO4	5.000/600			1.750
	5.000/500	3T429B-1-2-3/3T149Z	600+1.300	1.335
ISO3	5.000/600			1.575
	5.000/600	3T429B-1-2-3/3T149Z	600+1.300	1.650
ISO4	6.000			2.150



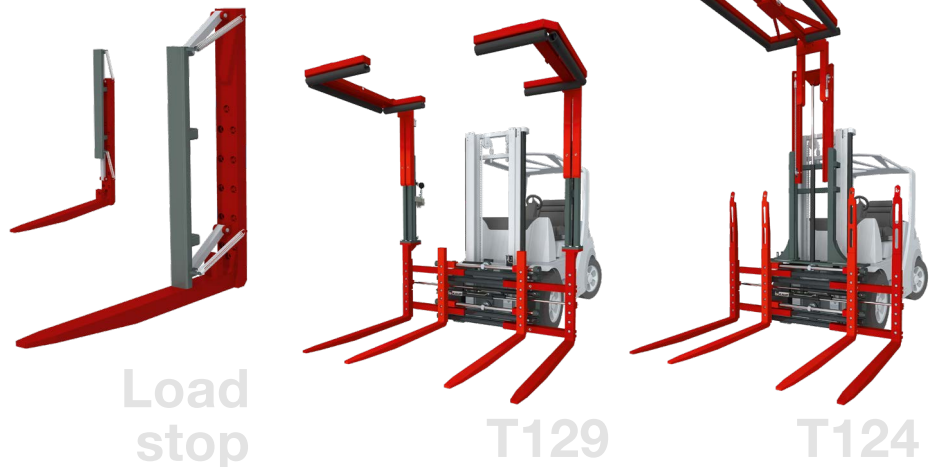
Criteria to choose the right KAUP attachment, the right truck capacity and the residual capacity.

Please consider that the residual capacities will only show you an estimated capacity. Contact your forklift truck supplier for exact values. An online calculation can be made on our website [www.kaup.de](http://www.kaup.de) in the Info-Center.



## Endless Possibilities: Individual solutions for every application

Individual construction widths, opening ranges and load capacities • different fork lengths and cross sections • enlarged sideshift • maintenance free sliding profiles • forks with pallet retaining lip • load backrest optimized and customized in height and design • load stabilizer T124 and T129 for securing the load • mechanical or hydraulic hinged load stops for safe transportation of different types and sizes of pallets



Additional accessories and options not listed available upon request.



## Special versions:

KAUP Multi Pallet Handlers can be modified, in accordance with ATEX-standard 2014/34/EU II 2G c IIB T4, in order to operate in explosive hazardous areas.



## Special models:

Integrated versions, previous models or other special versions: KAUP Multi Pallet Handlers are available in different versions or can be customised to individual requirements.



## Go online:

Technical details and drawings, product videos, brochures and more can be viewed online at: [www.kaup.de](http://www.kaup.de).



Helping hands for your Forklift truck

**KAUP GmbH & Co. KG**  
 Braunstrasse 17 · D - 63741 Aschaffenburg  
 ☎ +49 6021 865-0 · 📠 +49 6021 865-213  
 ✉ zentrale@kaup.de · www.kaup.de

KAUP attachments correspond to the requirements of the valid EC regulations regarding quality, safety and technical documentation. All technical data are subject to alteration.

KAUP is certified acc. to DIN EN ISO 9001

