



Helping hands for your Forklift truck

# Appliance- and Carton Clamps

Standard and telescopic versions

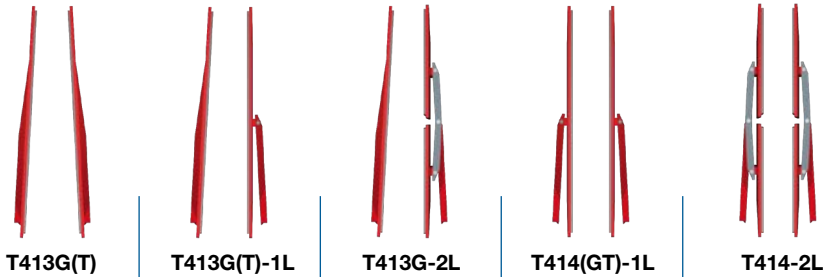


T413G · T414

KAUP Appliance- and Carton Clamps are used world wide for palletless transportation of white goods (fridges, washing machines etc.) and brown goods (electronic entertainment centres e.g. plasma displays etc.). A large choice of attachments and the possibility of an individually designed Appliance- or Carton Clamp to meet your specific requirements covers nearly every operation requirement. If only for one unit or for up to 16 units (stacked four next to each other, 2 in front of each other and 2 high) KAUP always has a suitable clamp.

## Selection criteria

The criteria depicted are solely for the purpose of orientation. Should you require other or additional options please feel free to contact our project team - we are more than happy to put together a clamp suitable for your specific requirements.



	T413G(T)	T413G(T)-1L	T413G-2L	T414(GT)-1L	T414-2L
very slim arms	○	○			
especially for truck and container loading	○	○	○		
automatic compensation of toe-in		○	○	○	○
equal distribution of clamping pressure		○	○	○	○
parallel contact pads				○	○
compensation of tolerances in load sizes			○		○

## Accessories and fixtures of the Appliance- and Carton Clamps

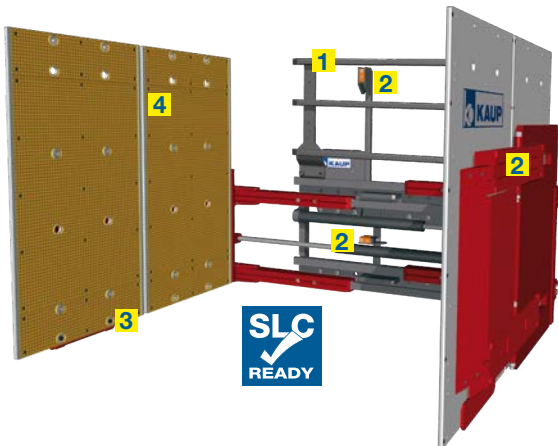


### Light column display for preselected pressure range (traffic light design)

A light column display for pre-selected pressure range is incorporated to give a visual check on clamping pressure. This ensures that the operating pressure does not rise too high which could damage the load. Further technical details are available on request.

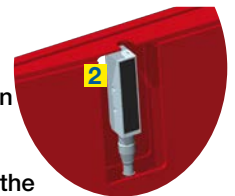
### 1 Load Backrest

KAUP Appliance- and Carton Clamps can be additionally equipped with a load backrest, which supports the load from behind.



### 2 Sensor technology / System SLC

The clamping arms of KAUP Appliance- and Carton Clamps can be fitted with sensors so that these identify the load pattern i.e. one or two high / one or two deep. Preset pressures required to pick up the load are automatically adjusted by the sensor control system. The Clamps are available with **Smart Load Control (SLC)**, an autonomous system for controlling the clamp force. Further technical details available upon request.



### 3 Wear and tear bar

KAUP Appliance- and Carton Clamps are fitted with exchangeable wear and tear bars as standard to prolong the life span of the attachment.



### Check device

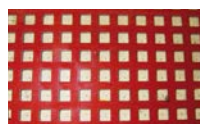
Used for checking and adjusting of predefined pressures on the clamp. With the help of the check device and the corresponding analysis and adjustment the exact clamping pressure can be set so that damage to sensitive loads can be minimised. Further technical details available upon request.

### 4 Contact pad coatings

KAUP Appliance- and Carton Clamps are fitted with the most suitable coating for your specific operation. As the coatings can be turned, the operating time is increased significantly.



Rubber lining



Secutex lining



Gripping nap strap coating



Grooved profile rubber (RPG)

## KAUP high quality Appliance- and Carton Clamps · The advantages at a glance

### Quick & Easy

#### Installation on the forklift truck

Version with independent sideshift: the guide rail for the sideshifter housings locates on the upper bar of the fork carriage and locks into the centre notch. The complete attachment is mounted onto this guide rail and secured by bolting the bottom mounting brackets (1) to the carriage. These are needle bearing guided bottom brackets (SMOOTHROLL) (2); attachments with capacities above 3,5 t feature tandem rollers (3). Once the hydraulic hose lines from the attachment to the truck are connected the attachment is ready for operation.

If required, KAUP quick release brackets (4) can be supplied. These allow the clamp to be mounted/dismounted quickly without any tool.

### Excellent

#### High visibility

KAUP Clamps set high standards with regards to visibility. Optimized design ensures excellent visibility for the driver and allows quick and precise operation of the clamp guaranteeing high working performance and reducing accident risk significantly.

### Simple

#### Handling with KAUP Clamps

KAUP Clamps are generally supplied with sideshift function which simplifies operation for the truck driver.

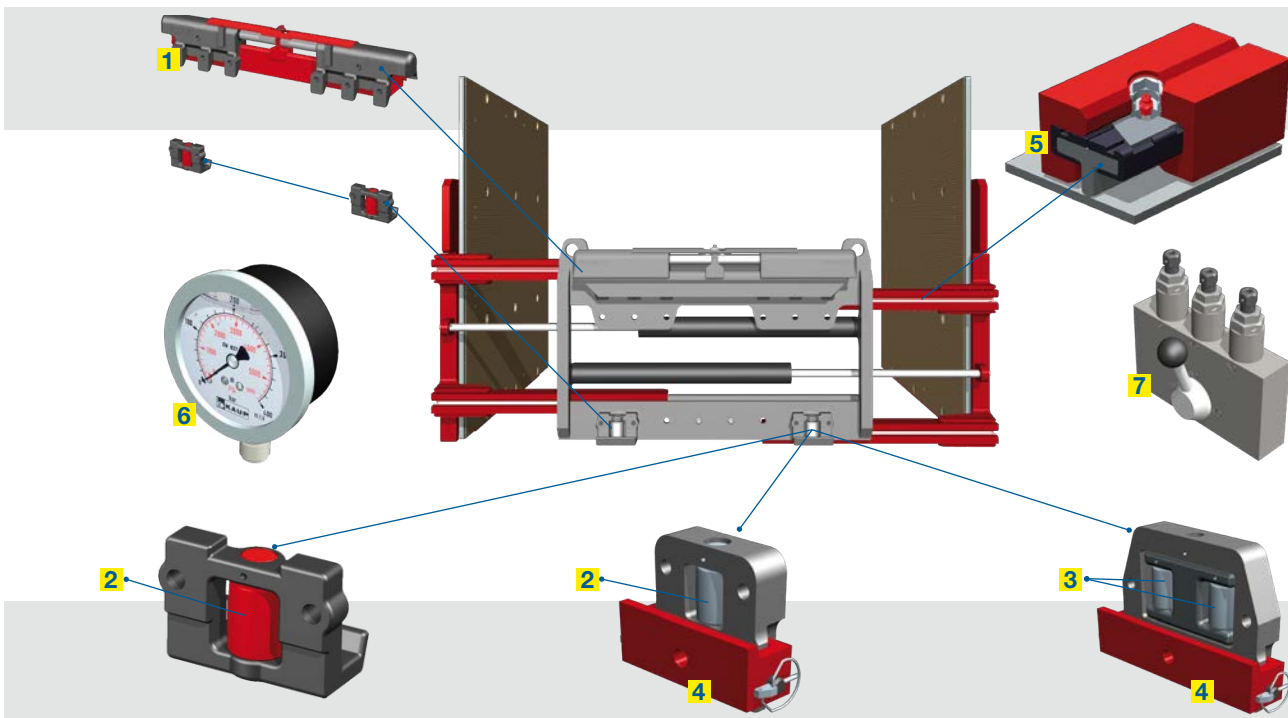
Especially independent sideshift system (1-4) permits sideshifting without restriction under safety regulations and allows utilization of the entire opening range for shifting loads sideways. All sideshift housings feature (SOFTSTOP), end-of-stroke-slow-down.

If required all KAUP clamps can be fitted with valveblock sideshift system which uses the residual stroke of the clamp cylinders to achieve lateral arm movement.

### Strong

#### The KAUP Clamp profile (5)

A combination of T and C profiles is used on KAUP Clamps characterised by favourable weight with very compact dimensions providing high stability. An extremely robust sliding profile to improve gliding and to reduce wear and tear is found between the profiles.



### Reliable

#### Top speed service

KAUP Clamps are synonymous to trouble free operation. As the components used have been proven thousands of times, servicing is simple and can be carried out without requiring any special skills. In conjunction with the KAUP modular built system the availability of replacements parts at reasonable prices is second to none. Approximately 95 percent of all wear and tear parts can be shipped ex stock within a maximum of 24 hours. Our efficient service network assures qualified service on short call-out to ensure that your attachment is back in operation within a short time.

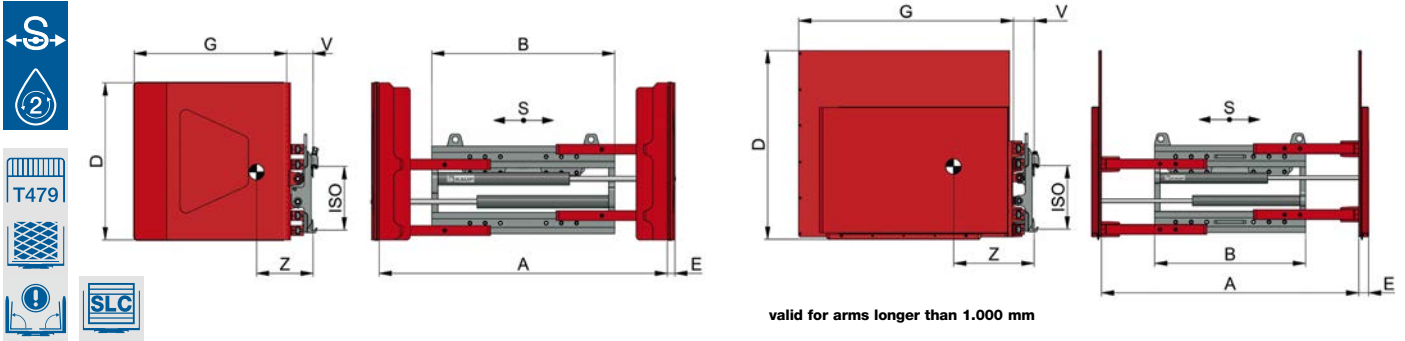
We also carry out complex repairs and maintenance work at our factory service centre. Annually approximately 800 attachments are repaired, maintained or generally refurbished at our service centre in Aschaffenburg.

### Flexible

#### A large range of accessories

**Pressure reduction valve and manometer gauge:** KAUP Clamps are fitted for the function "open clamp" with a pre-set pressure reduction valve to prevent damage on the clamp arms by lateral pushing of the loads with arm outsides. In order to regulate the closing force when handling pressure sensitive loads a pressure reduction valve is fitted generally. If required three different force levels can be pre-set and controlled, either manually (7) or by solenoid valve. A manometer gauge (6) mounted in good view of the driver provides a ready check on the hydraulic operation pressure of the clamp.

**Load backrest:** KAUP Clamps feature mounting lugs as standard enabling a backrest to be fitted conveniently without drilling or any other modifications. Parts required for mounting, such as spacers and screws, are included in KAUP's supply.



## Appliance Clamp T413G

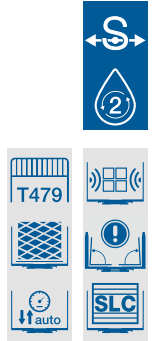
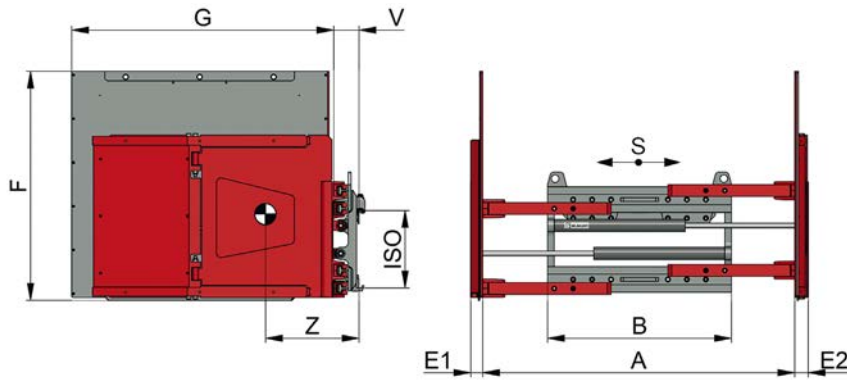
with independent sideshift · rubber coated arms · both arms fix · 2 hydraulic functions

Model	Capacity kg	LCD mm	S mm	A mm	B mm	D mm	E mm	G mm	ISO class	V mm	CofG Z mm	Weight kg
1T 413G	700	500	± 100	500-1.680	970	700	23	690	2	153	207	275
						1.000	23	690				332
						1.200	23	690				353
1T 413G	700	500	± 100	350-1.450	1.040	700	23	690	2	153	206	270
						1.000	23	690				323
						1.200	23	690				342
1T 413G	700	500	± 100	550-1.850	1.040	700	23	690	2	153	203	280
						1.000	23	690				337
						1.200	23	690				359
1T 413G	700	500	± 100	460-1.760	1.130	700	23	690	2	153	201	285
						1.000	23	690				342
						1.200	23	690				364
1T 413G	700	500	± 100	490-1.890	1.200	700	23	690	2	153	199	290
						1.000	23	690				347
						1.200	23	690				368
1,5T 413G	1.250	500	± 100	515-1.695	970	700	28	690	2	158	221	351
						1.000	23	690				362
						1.200	23	690				395
1,5T 413G	1.250	500	± 100	475-1.655	970	1.000	63	1.000	2	133	365	440
						1.000	63	1.200				453
						1.200	63	1.200				508
1,5T 413G	1.250	500	± 100	365-1.465	1.040	700	28	690	2	158	221	346
						1.000	23	690				353
						1.200	23	690				398
1,5T 413G	1.250	500	± 100	325-1.425	1.040	1.000	63	1.000	2	133	364	442
						1.000	63	1.200				455
						1.200	63	1.200				510
1,5T 413G	1.250	500	± 100	445-1.625	1.040	700	28	690	2	158	221	347
						1.000	23	690				354
						1.200	23	690				384
1,5T 413G	1.250	500	± 100	405-1.585	1.040	1.000	63	1.000	2	133	364	442
						1.000	63	1.200				455
						1.200	63	1.200				510
1,5T 413G	1.250	500	± 100	475-1.775	1.130	700	28	690	2	158	216	361
						1.000	23	690				373
						1.200	23	690				406
1,5T 413G	1.250	500	± 100	485-1.835	1.130	1.000	63	1.000	2	133	361	452
						1.000	63	1.200				465
						1.200	63	1.200				520
1,5T 413G	1.250	500	± 100	505-1.905	1.200	700	28	690	2	158	214	367
						1.000	23	690				378
						1.200	23	690				411
1,5T 413G	1.250	500	± 100	465-1.865	1.200	1.000	63	1.000	2	133	360	461
						1.000	63	1.200				474
						1.200	63	1.200				529

Also available without sideshift, model T403G. Available with automatic pressure selection (upon request). Load backrest model T479. For contact pad coatings see accessories. Variations in arm dimensions available upon request.

SLC READY Clamp available with **Smart Load Control (SLC)**, an autonomous system for controlling the clamp force. Available without sideshift model T403G/099H and with sideshift, model T413G/099H.



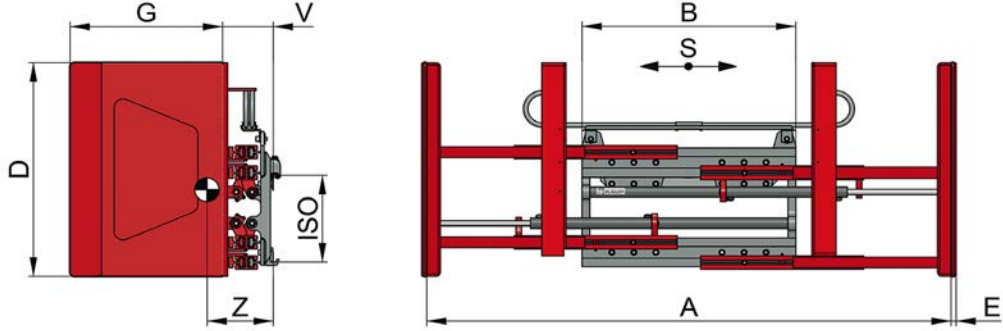


## Appliance- / Carton Clamp T413G-1L

with **independent sideshift** · rubber coated arms · one arm fix, one arm swivelling · 2 hydraulic functions

Model	Capacity kg	LCD mm	S mm	A mm	B mm	E1 mm	E2 mm	F mm	G mm	ISO classe	V mm	CofG Z mm	Weight kg	
1,5T 413G-1L	1.250	500	± 100	475-1.655	970	63	55	1.000	1.000	2	133	340	423	
						63	55	1.000	1.200				396	463
						63	55	1.200	1.200				467	527
						63	55	1.200	1.380				487	575
1,5T 413G-1L	1.250	500	± 100	325-1.425	1.040	63	55	1.000	1.000	2	133	339	425	
						63	55	1.000	1.200				395	465
						63	55	1.200	1.200				466	529
						63	55	1.200	1.380				486	577
1,5T 413G-1L	1.250	500	± 100	405-1.585	1.040	63	55	1.000	1.000	2	133	339	425	
						63	55	1.000	1.200				395	465
						63	55	1.200	1.200				466	529
						63	55	1.200	1.380				486	577
1,5T 413G-1L	1.250	500	± 100	485-1.835	1.130	63	55	1.000	1.000	2	133	336	435	
						63	55	1.000	1.200				392	475
						63	55	1.200	1.200				462	539
						63	55	1.200	1.380				481	587
1,5T 413G-1L	1.250	500	± 100	465-1.865	1.200	63	55	1.000	1.000	2	133	335	444	
						63	55	1.000	1.200				390	484
						63	55	1.200	1.200				460	548
						63	55	1.200	1.380				479	596
2T 413G-1L	2.000	500	± 100	520-1.720	970	63	60	1.000	1.000	2/3	143	332	493	
						63	60	1.000	1.200				392	538
						63	60	1.200	1.200				423	602
						63	60	1.200	1.380				476	659
2T 413G-1L	2.000	500	± 100	550-1.850	1.040	63	60	1.000	1.000	2/3	143	330	498	
						63	60	1.000	1.200				390	543
						63	60	1.200	1.200				421	607
						63	60	1.200	1.380				474	664
2T 413G-1L	2.000	500	± 100	460-1.760	1.130	63	60	1.000	1.000	2/3	143	328	503	
						63	60	1.000	1.200				387	548
						63	60	1.200	1.200				418	612
						63	60	1.200	1.380				471	669
2T 413G-1L	2.000	500	± 100	460-1.960	1.330	63	60	1.000	1.000	2/3	143	314	527	
						63	60	1.000	1.200				373	572
						63	60	1.200	1.200				404	636
						63	60	1.200	1.380				457	693
2T 413G-1L	2.000	500	± 100	570-2.370	1.520	63	60	1.000	1.000	2/3	143	307	551	
						63	60	1.000	1.200				366	596
						63	60	1.200	1.200				397	660
						63	60	1.200	1.380				450	717

Also available without sideshift, model T403G-1L. In addition available with automatic pressure selection and sensor technology (upon request). Also available with 2 contact pads on the swivelling arm - model T413G-2L / T403G-2L. Load backrest model T479. For contact pad coatings see accessories.



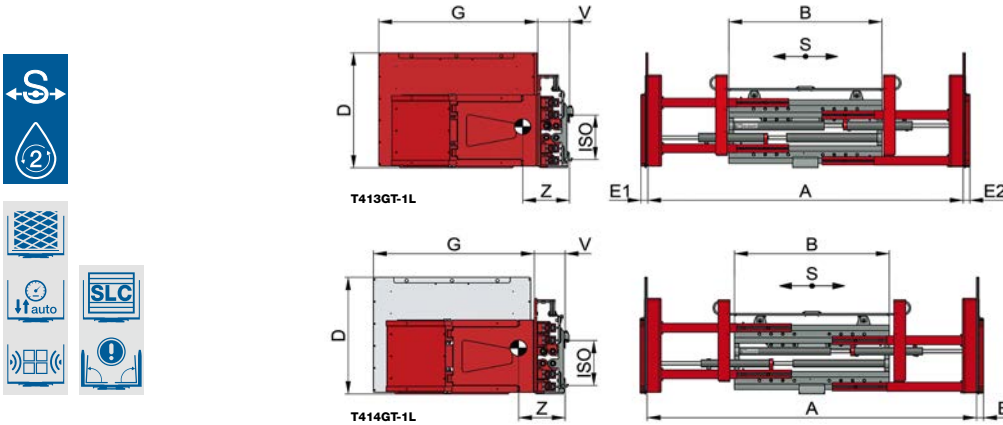
## Telescopic Appliance Clamp T413GT

with independent sideshift · rubber coated arms · both arms fix · 2 hydraulic functions

Model	Capacity kg	LCD mm	S mm	A mm	B mm	D mm	E mm	G mm	ISO classe	V mm	CofG Z mm	Weight kg
1T 413 GT	700	500	± 100	380-2.380	970	1.000	28	690	2	232	270	435
1,5T 413 GT	1.250	500	± 100	440-2.440	970	1.000	28	690	2	242	285	470
1,5T 413 GT	1.250	500	± 100	410-2.610	1.200	1.000	28	690	2	242	285	486
1,5T 413 GT	1.250	500	± 100	440-2.440	970	1.200	28	690	2	242	300	515
1,5T 413 GT	1.250	500	± 100	410-2.610	1.200	1.200	28	690	2	242	295	530
2T 413 GT	1.250	700	± 100	475-2.475	1.130	1.050	78	1.380	2	281	438	830
2T 413 GT	1.250	700	± 100	450-2.750	1.330	1.050	78	1.380	2	281	429	871
3T 413 GT	1.800	700	± 100	475-2.475	1.130	1.050	78	1.380	3	281	424	854
3T 413 GT	1.800	700	± 100	450-2.750	1.330	1.050	78	1.380	3	281	416	895

Also available without sideshift, model T403GT. In addition available with automatic pressure selection and sensor technology. Load backrest model T479. For contact pad coatings see accessories. Variations in arm dimensions available upon request.

Clamp available with **Smart Load Control (SLC)**, an autonomous system for controlling the clamp force (Models 2T after design adaptation). Available without sideshift model T403GT/099H and with sideshift, model T413GT/099H.



## Telescopic Appliance- / Carton Clamp T413GT-1L / T414GT-1L

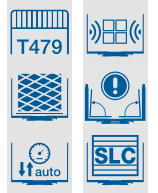
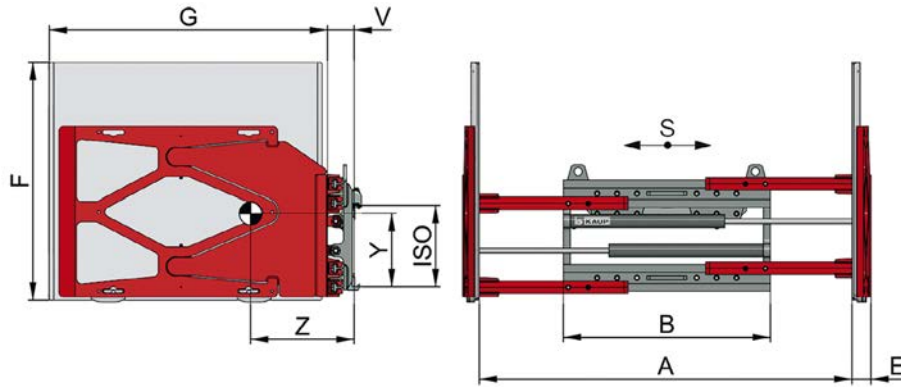
with independent sideshift

rubber coated arms · one arm fix, one arm swivelling (413GT-1L) · both arms swivelling (T414GT-1L) · 2 hydraulic functions

Model	Capacity kg	LCD mm	S mm	A mm	B mm	D mm	E1/E mm	E2/E mm	G mm	ISO class	V mm	CofG Z mm	Weight kg
2 T 413 GT-1L	1.250	700	± 100	480-2.740	1.330	1.050	60	60	1.380	2	276	411	864
3 T 413 GT-1L	1.800	700	± 100	480-2.740	1.330	1.050	60	60	1.380	3	276	405	889
2 T 414 GT-1L	1.250	700	± 100	480-2.740	1.330	1.050	60	60	1.380	2	276	401	930
3 T 414 GT-1L	1.800	700	± 100	480-2.740	1.330	1.050	60	60	1.380	3	276	395	955

Also available without sideshift, model T403GT-1L / T404GT-1L. In addition available with automatic pressure selection and sensor technology (upon request). Load backrest model T479. For contact pad coatings see accessories. Variations in arm dimensions available upon request.

Clamp available with **Smart Load Control (SLC)**, an autonomous system for controlling the clamp force. Available without sideshift model T403(404)GT-1L/099H and with sideshift, model T413(414)GT-1L/099H.



## Appliance- / Carton Clamp T414B-1

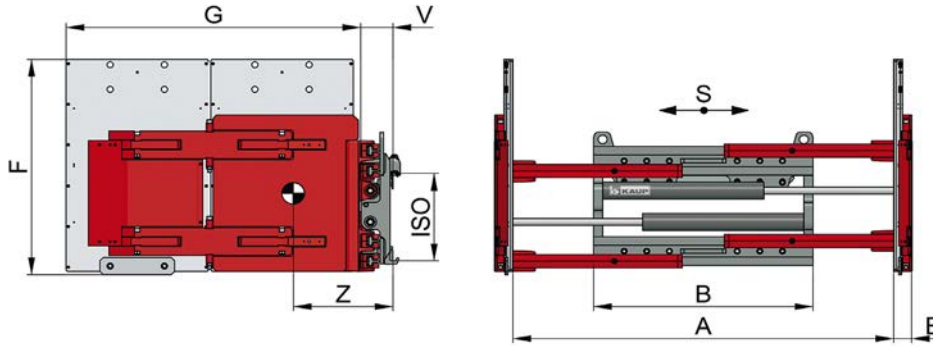
with independent sideshift · grooved profile rubber (RPG) coated arms · both arms swivelling · 2 hydraulic functions

Model	Capacity kg	LCD mm	S mm	A mm	B mm	E mm	F mm	G mm	ISO class	V mm	CofG Z mm	CofG <sub>v</sub> Y mm	Weight kg
1,5T 414B-1	1.250	500	± 100	480-1.660	970	55	1.000	1.000	2	133	392	333	534
							1.000	1.200			467	338	592
							1.200	1.200			476	360	611
							1.200	1.380			530	362	654
1,5T 414B-1	1.250	500	± 100	330-1.430	1.040	55	1.000	1.000	2	133	390	332	537
							1.000	1.200			465	338	595
							1.200	1.200			474	359	614
							1.200	1.380			528	362	657
1,5T 414B-1	1.250	500	± 100	410-1.590	1.040	55	1.000	1.000	2	133	390	332	538
							1.000	1.200			465	338	596
							1.200	1.200			473	359	615
							1.200	1.380			527	361	658
1,5T 414B-1	1.250	500	± 100	490-1.840	1.130	55	1.000	1.000	2	133	385	331	545
							1.000	1.200			460	337	604
							1.200	1.200			469	358	623
							1.200	1.380			523	360	665
1,5T 414B-1	1.250	500	± 100	470-1.870	1.200	55	1.000	1.000	2	133	383	330	550
							1.000	1.200			457	336	608
							1.200	1.200			466	357	627
							1.200	1.380			519	359	670
2T 414B-1	2.000	500	± 100	525-1.725	970	60	1.000	1.000	2/3	143	389	329	603
							1.000	1.200			463	335	670
							1.200	1.200			471	354	689
							1.200	1.380			495	358	706
2T 414B-1	2.000	500	± 100	555-1.855	1.040	60	1.000	1.000	2/3	143	386	328	609
							1.000	1.200			460	334	675
							1.200	1.200			468	353	694
							1.200	1.380			492	357	712
2T 414B-1	2.000	500	± 100	465-1.765	1.130	60	1.000	1.000	2/3	143	384	329	614
							1.000	1.200			457	334	680
							1.200	1.200			465	352	699
							1.200	1.380			489	357	717
2T 414B-1	2.000	500	± 100	465-1.965	1.330	60	1.000	1.000	2/3	143	377	326	628
							1.000	1.200			449	332	695
							1.200	1.200			457	350	714
							1.200	1.380			481	355	732
2T 414B-1	2.000	500	± 100	575-2.375	1.520	60	1.000	1.000	2/3	143	359	322	666
							1.000	1.200			429	328	733
							1.200	1.200			437	346	752
							1.200	1.380			460	350	770

Also available without sideshift, model T404B-1. In addition available with automatic pressure selection and sensor technology (upon request). Load backrest model T479. For contact pad coatings see accessories. Variations in arm dimensions available upon request.



Clamp available with **Smart Load Control (SLC)**, an autonomous system for controlling the clamp force (Models 2T after design adaptation). Available without sideshift model T404B-1/099H and with sideshift, model T414B-1/099H.



## Appliance- / Carton Clamp T414-2L

with independent sideshift · rubber coated arms · two contact pads per swivelling arm · 2 hydraulic functions

Model	Capacity kg	LCD mm	S mm	A mm	B mm	E mm	F mm	G mm	ISO class	V mm	CofG Z mm	Weight kg
1,5T 414-2L	1.250	500	± 100	480-1.660	970	60	1.000	1.000	2	133	345	495
							1.000	1.200				535
							1.200	1.200				599
							1.200	1.380				647
1,5T 414-2L	1.250	500	± 100	330-1.430	1.040	60	1.000	1.000	2	133	344	497
							1.000	1.200				538
							1.200	1.200				602
							1.200	1.380				649
1,5T 414-2L	1.250	500	± 100	410-1.590	1.040	60	1.000	1.000	2	133	344	497
							1.000	1.200				538
							1.200	1.200				602
							1.200	1.380				649
1,5T 414-2L	1.250	500	± 100	490-1.840	1.130	60	1.000	1.000	2	133	341	507
							1.000	1.200				547
							1.200	1.200				611
							1.200	1.380				659
1,5T 414-2L	1.250	500	± 100	470-1.870	1.200	60	1.000	1.000	2	133	340	516
							1.000	1.200				556
							1.200	1.200				620
							1.200	1.380				668
2T 414-2L	2.000	500	± 100	525-1.725	970	60	1.000	1.000	2/3	143	337	565
							1.000	1.200				610
							1.200	1.200				674
							1.200	1.380				731
2T 414-2L	2.000	500	± 100	555-1.855	1.040	60	1.000	1.000	2/3	143	335	570
							1.000	1.200				615
							1.200	1.200				679
							1.200	1.380				736
2T 414-2L	2.000	500	± 100	465-1.765	1.130	60	1.000	1.000	2/3	143	333	575
							1.000	1.200				620
							1.200	1.200				684
							1.200	1.380				741
2T 414-2L	2.000	500	± 100	465-1.965	1.330	60	1.000	1.000	2/3	143	319	599
							1.000	1.200				644
							1.200	1.200				708
							1.200	1.380				765
2T 414-2L	2.000	500	± 100	575-2.375	1.520	60	1.000	1.000	2/3	143	312	623
							1.000	1.200				668
							1.200	1.200				732
							1.200	1.380				789

Also available without sideshift, model T404-2L. In addition available with automatic pressure selection and sensor technology (upon request). Load backrest model T479. For contact pad coatings see accessories. Variations in arm dimensions available upon request.

Clamp available with **Smart Load Control (SLC)**, an autonomous system for controlling the clamp force (Models 2T after design adaptation). Available without sideshift model T404-2L/099H and with sideshift, model T414-2L/099H.

KAUP attachments correspond to the requirements of the valid EC regulations regarding quality, safety and technical documentation. All technical data are subject to alteration.

KAUP is certified acc. to DIN EN ISO 9001



Helping hands for your Forklift truck

**KAUP GmbH & Co. KG**

Braunstrasse 17 · D - 63741 Aschaffenburg

☎ +49 6021 865-0 · 📠 +49 6021 865-213

✉ zentrale@kaup.de · 🌐 www.kaup.de