



Helping hands for your forklift truck

Discharging Device T167S



CUSTOMISED SOLUTION



Your forklift truck is equipped with a rotating fork clamp and you occasionally need to empty pallet boxes or grate boxes? A hydraulically operated attachment is not viable as this handling task is not often required or is seasonable?

Now there is a cost-efficient and economical solution - a Discharging Device T167S for rotating fork clamps.

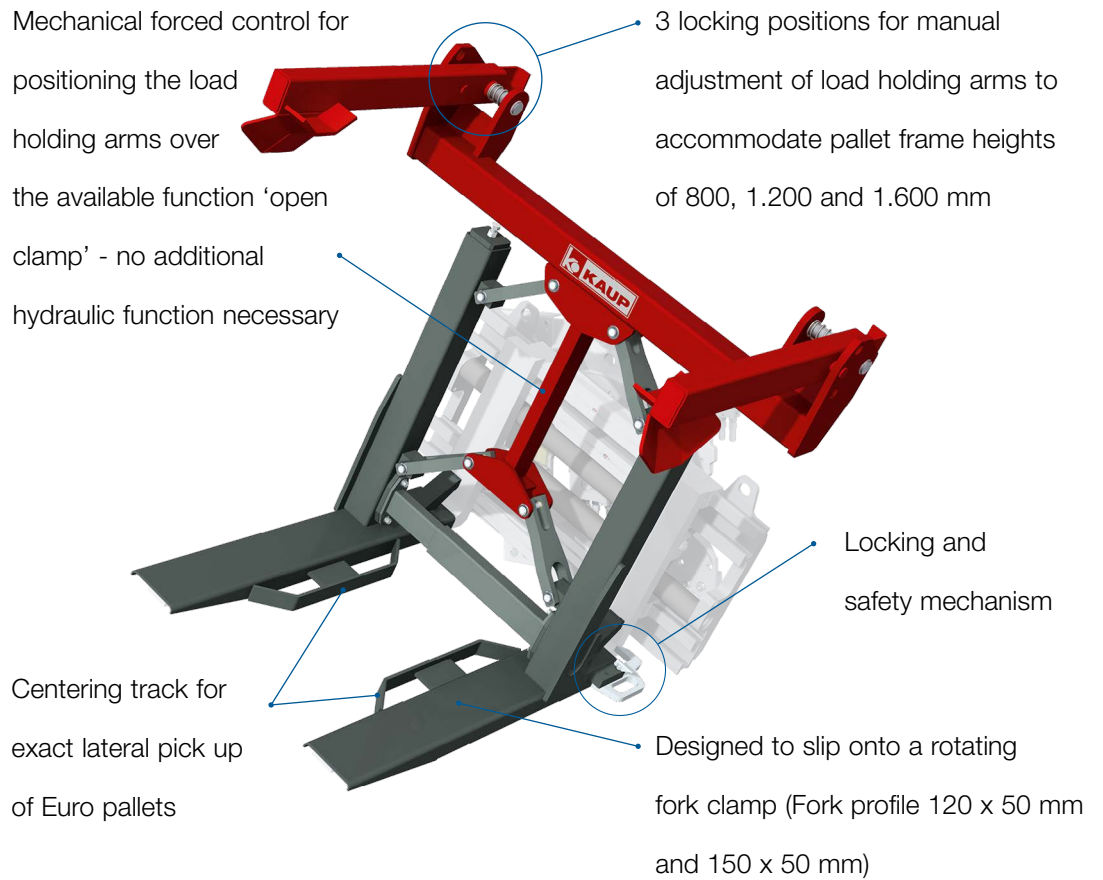


Facts which speak for themselves

- cost efficient - retro-fitting on available forklift trucks
- slip-on - quick mounting, immediately ready for operation
- residual capacity - remains unchanged for normal forklift truck operation
- forced control - no additional hydraulic circuit required
- flexible - three load holding arm positions for different pallet frame heights



Discharging Device T167S at a glance



Extremely flexible in all applications



Perfect for emptying boxes based on Euro pallets with a pallet frame and for emptying grate boxes



3 locking positions for manual adjustment of load holding arms to accommodate pallet frame heights of 800, 1.200 and 1.600 mm.



Perfect for emptying boxes based on Euro pallets with a pallet frame.



Helping hands for your Forklift truck

KAUP GmbH & Co. KG
 Braunstrasse 17 · D - 63741 Aschaffenburg
 ☎ +49 6021 865-0 · 📠 +49 6021 865-213
 E-Mail: kaup@kaup.de · www.kaup.de



You would like to know more about KAUP?
 Then visit our web-page under www.kaup.de.

KAUP attachments correspond to the requirements of the valid EC regulations regarding quality, safety and technical documentation. All technical data are subject to alteration.

KAUP is certified acc. to DIN EN ISO 9001

