



Helping hands for your Forklift truck

Sideshifters
Integrated Sideshifters
Multi Sideshifters

T151P2 · T151I · T252B · T253B



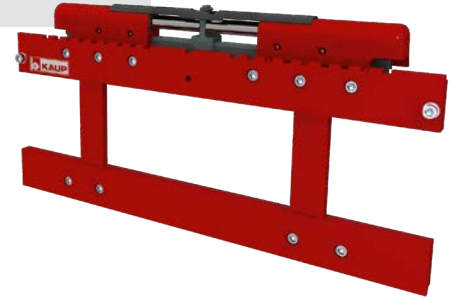
HIGH-VISIBILITY FORKLIFT TRUCK ATTACHMENTS

The sideshifter allows lateral shift of the load, taking the truck capacity into account, of ± 100 up to ± 160 mm. This allows the driver to position the transport goods with millimetre precision crosswise to direction of travel and increases the efficiency of the forklift truck.

A special version, the container sideshifter, features increased sideshift strokes.

Sideshifter High-Performance Model T151P2

- Designed for extremely tough operations
- Protected piston rods
- Fork length unrestricted within maximum capacity of the forklift truck
- Construction widths available up to 3.500 mm
- High visibility
- Equal shifting force and speed to both directions
- Quick and easy installation
- **SOFTSTOP** end-of-stroke slow-down
- **SMOOTHROLL** bottom brackets



SOFTSTOP end-of-stroke slow-down

End-of-stroke slow-down considerably reduces the speed over the last 15 mm of stroke. This reduces wear of mast profiles and rollers and increases load stability.

SMOOTHROLL bottom brackets

Bottom brackets fitted with glide bearing supporting rollers. Minimal friction loss lowers energy consumption, especially in electric forklift trucks, and extends the operating time of the batteries.



Capacities of up to 3.000 kg fitted with supporting rollers



Capacities of 3.500 kg or more fitted with double supporting rollers

Container Sideshifter with increased sideshift stroke T151P-C

- Increased sideshift stroke makes it possible to reach beyond the chassis width of the forklift truck.
- Goods stacked against the wall of container can be loaded and unloaded.
- Suitable for container stuffing and loading and unloading of trucks.



T151P-C

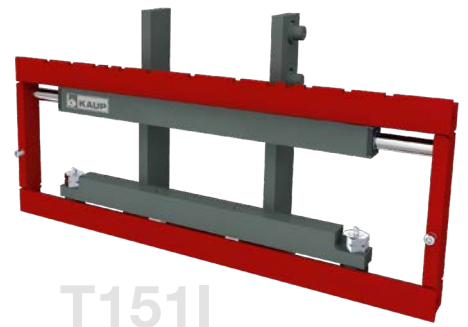


T151P-C



Sideshifter, integral mounting T151I

- Complete programme of integrated sideshifters.
- Integrated tiltable sideshifters available.
- Minimal restrictions in residual capacity.
- Maximum visibility
- Roller bearings ensure minimal friction loss resulting in longer operating times, especially on electric forklift trucks.



T151I



T151IN



T151I



T151I

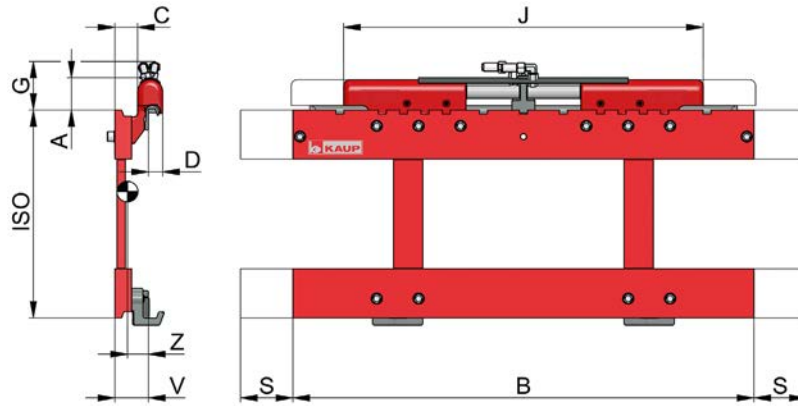
Sideshifter for Reach Trucks 2T151P2

- Shape und fork carriage width designed especially for reach trucks.
- Standard sideshift stroke of ± 100 mm individually modified to specific requirements.
- Standard with **SOFTSTOP** end-of-stroke slow-down and **SMOOTHROLL** bottom brackets.





T151P2 · ISO 2-3



T180

T179



SOFTSTOP
SMOOTHROLL

Sideshifter High-Performance Model T151P2 1 hydraulic function

Model	Capacity kg	LCD mm	A mm	B mm	C mm	D mm	S mm	G mm	J mm	ISO cl.	V mm	CofG Z mm	Weight kg
2T 151P2	2.500	600	76	890	44	32	± 100	116	858	2	72	37	70
			76	920	44	32	± 100	116	858	2	72	37	72
			76	980	44	32	± 100	116	858	2	72	38	74
			76	1.020	44	32	± 100	116	858	2	72	39	76
			76	1.040	44	32	± 100	116	858	2	72	39	77
			76	1.150	44	32	± 100	116	858	2	72	43	97
			76	1.600	54	32	± 100	116	858	2	82	52	146
3T 151P2 *	3.000	500	76	1.020	54	34	± 100	116	858	3	82	45	106
			76	1.070	54	34	± 100	116	858	3	82	45	110
			76	1.100	54	34	± 100	116	858	3	82	46	112
			76	1.150	54	34	± 100	116	858	3	82	46	115
			76	1.300	54	34	± 100	116	858	3	82	48	132
			76	1.600	64	34	± 100	116	858	3	92	57	207
4T 151P2	5.000	500	85	1.100	50	40	± 100	125	1.040	3	82	41	136
			85	1.150	50	40	± 100	125	1.040	3	82	41	139
			85	1.200	50	40	± 100	125	1.040	3	82	42	143
			85	1.300	50	40	± 100	125	1.040	3	82	44	156
			85	1.350	50	40	± 100	125	1.040	3	82	44	165
			85	1.600	60	40	± 100	125	1.040	3	92	54	231
			85	1.800	60	40	± 100	125	1.040	3	92	55	248
			85	2.000	60	40	± 100	125	1.040	3	92	56	256
4,8T 151P2	5.000	600	103	1.150	42	44	± 100	165	922	3	82	39	149
			103	1.200	42	44	± 100	165	922	3	82	40	153
			103	1.300	42	44	± 100	165	922	3	82	42	166
			103	1.310	42	44	± 100	165	922	3	82	42	166
			103	1.350	42	44	± 100	165	922	3	82	42	175
			103	1.410	42	44	± 100	165	922	3	82	44	190
			103	1.600	52	44	± 100	165	922	3	92	52	241
			103	1.800	52	44	± 100	165	922	3	92	53	258
			103	2.000	52	44	± 100	165	922	3	92	56	313

*Exclusively for FLT's with 3.000 kg. capacity at 500 mm LCD. Other construction widths available upon request. Load Backrest Model T179.



Designed for extremely tough operations · Protected piston rods · Construction widths available up to 3.500 mm High visibility · Equal shifting force and speed to both directions · Quick and easy installation · **SMOOTHROLL** bottom brackets · 5 T - 6 T: **SOFTSTOP** end-of-stroke slow-down

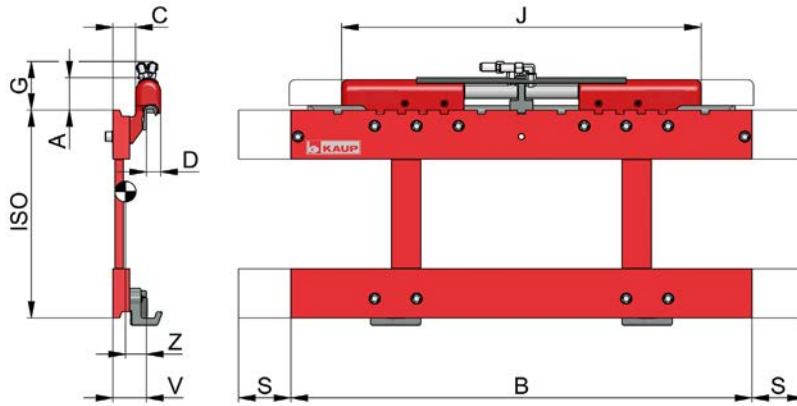


T180

T179



SOFTSTOP
SMOOTHROLL



Sideshifter High-Performance Model T151P2 1 hydraulic function

Model	Capacity kg	LCD mm	A mm	B mm	C mm	D mm	S mm	G mm	J mm	ISO cl.	V mm	CofG Z mm	Weight kg
5T 151P2	5.000	600	80	1.220	60	42	± 100	125	1.040	4	92	51	212
			80	1.400	60	42	± 100	125	1.040	4	92	53	231
			80	1.800	70	42	± 100	125	1.040	4	102	63	334
			80	2.180	70	42	± 100	125	1.040	4	102	63	383
			80	2.260	70	53	± 100	125	1.040	4	112	65	455
5,5T 151P2	7.000	600	96	1.220	52	44	± 100	156	922	4	92	50	230
			96	1.400	52	44	± 100	156	922	4	92	51	249
			96	1.800	62	44	± 100	156	922	4	102	61	352
			96	2.180	62	44	± 100	156	922	4	102	62	401
			96	2.260	62	44	± 100	156	922	4	102	62	473
6T 151P2	8.000	600	112	1.400	50	53	± 160	212	1.392	4	92	42	295
			112	1.800	60	53	± 160	212	1.392	4	102	53	397
			112	2.180	60	53	± 160	212	1.392	4	102	55	446
			112	2.260	70	53	± 160	212	1.392	4	112	61	516
10T 151	8.000	1.100	112	1.800	54	53	± 160	45	1.510	4	106	46	455
			112	2.000	54	53	± 160	45	1.510	4	106	46	490
			112	2.260	54	53	± 160	45	1.510	4	106	46	535
			112	2.400	54	53	± 160	45	1.510	4	106	46	560

Other construction widths available upon request. Load Backrest Model T179.



Designed for extremely tough operations · Protected piston rods · Construction widths available up to 3.500 mm
High visibility · Equal shifting force and speed to both directions · Quick and easy installation · **SMOOTHROLL**
bottom brackets · 5 T - 6 T: **SOFTSTOP** end-of-stroke slow-down



T2151P2 - for Reach Trucks



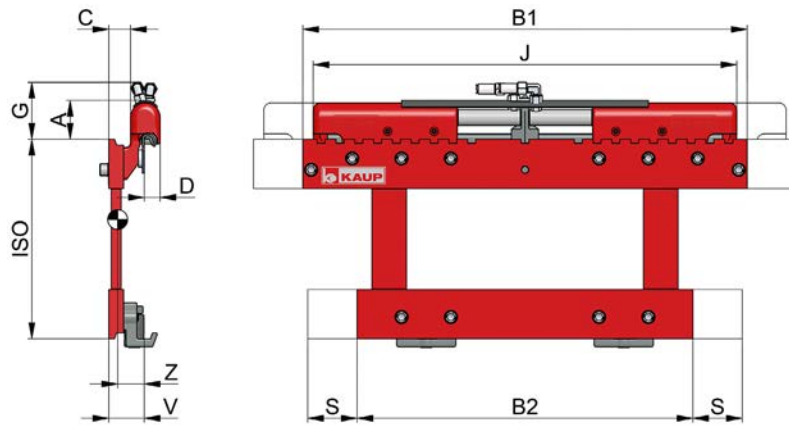
T151P2 - ISO-2/3



T151P2 - ISO-4



T151P2 · T151P-C



T180

T179

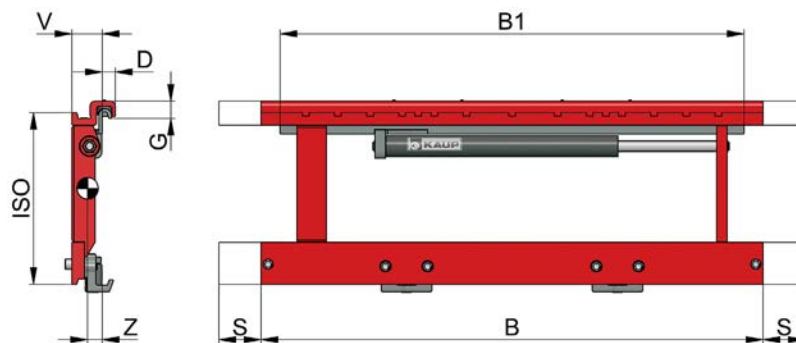


SOFTSTOP
SMOOTHROLL

Sideshifter for Reach Trucks 2T151P2 1 hydraulic function

Model	Capacity kg	LCD mm	A mm	B1 mm	B2 mm	C mm	D mm	G mm	S mm	J mm	ISO cl.	V mm	CofG Z mm	Weight kg
2 T 151 P2	2.500	600	76	680	680	44	32	116	± 75	808	2	72	36	56
			76	890	680	44	32	116	± 100	858	2	72	36	66

Load Backrest Model T179. Other construction widths available upon request.



T180

T179



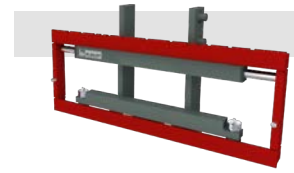
SMOOTHROLL

Sideshifter with increased sideshift stroke T151P-C

for container stuffing applications - 1 hydraulic function

Model	Capacity kg	LCD mm	B mm	B1 mm	S ¹⁾ mm	D mm	G mm	ISO cl.	V mm	CofG Z mm	Weight kg
2 T 151 P4N-C	2.500	500	780	800	± 160	33	33	2	55	21	55
2 T 151 P-C	2.500	500	780	1.020	± 225	33	40	2	72	34	57
			1.060	1.020	± 225	33	40	2	72	35	68
			1.150	1.020	± 225	33	40	2	72	35	73
4 T 151 P-C	5.000	500	780	1.100	± 250	40	49	3	82	36	90
			1.200	1.100	± 250	40	49	3	82	38	117
			1.600	1.100	± 250	40	49	3	82	40	143
6 T 151 P-C	8.000	600	1.800	1.100	± 250	50	66	4	107	55	301

1) Differing shift strokes available upon request. Higher capacities and other construction widths available upon request. Load Backrest Model T179. 2T151P4N-C with EASYSLIDE greasable sliding pads, all others with bottom brackets with roller guidance (SMOOTHROLL).

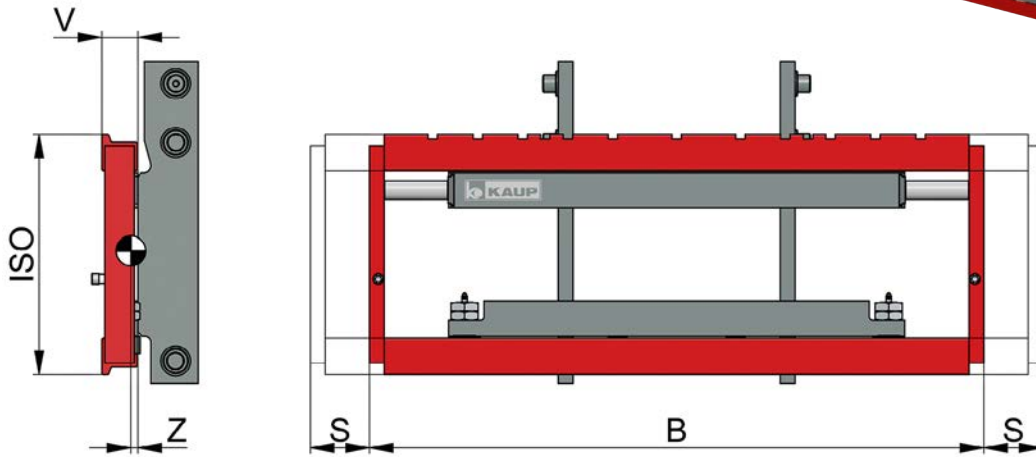


T180

T179



QUICKSEAL
SMOOTHROLL



Sideshifter, integral mounting T151I 1 hydraulic function

Model	Capacity kg	LCD mm	B mm	S mm	ISO cl.	V mm	CofG ¹⁾ Z mm	Weight ¹⁾ kg
1,5 T 151 I	1.750	500	1.040	± 100	2	61	36	92
2,5 T 151 I	2.500	500	1.150	± 100	2	70	36	102
3 T 151 I	3.000	500	1.150	± 100	3	75	35	130
3,5 T 151 I	3.500	500	1.150	± 100	3	85	43	135
4,5 T 151 I	4.500	500	1.350	± 100	3	85	44	200
4,8 T 151 I	5.000	500	1.350	± 100	3	90	43	220
6 T 151 I	6.000	600	1.550	± 140	4	95	47	280
			1.650	47			298	
			1.800	47			310	
8 T 151 I	8.000	600	1.800	± 160	4	166	77	395
			2.260	85			465	
10 T 151 I	8.000	1.100	1.860	± 160	4	210	110	622
			2.260	114			680	
			2.400	115			700	
12 T 151 I ²⁾	12.000	600	2.600	± 150	--	215	165	2.650
16 T 151 I ²⁾	16.000	600	2.800	± 150	--	215	175	2.780

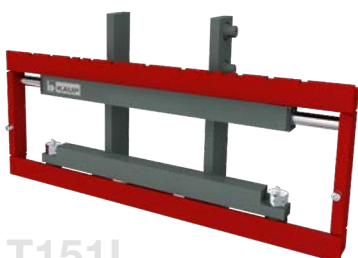
Higher capacities and other construction widths available upon request.

1) CofG and weight measurements do not take the cheek plates into account.

2) Including forks, optional 180 x 80 x 1.200 mm or 180 x 90 x 1.200 mm.

To determine the residual capacity the difference between measurement „V“ and the appropriate clearance of the serial fork carriage should be taken into account.

Load Backrest model T179.



T151I
integrated sideshifter



T151I
integrated version for reach trucks



T151IN
integrated tiltable version for reach trucks

Multi Sideshifter T252B · T253B · T253B-3

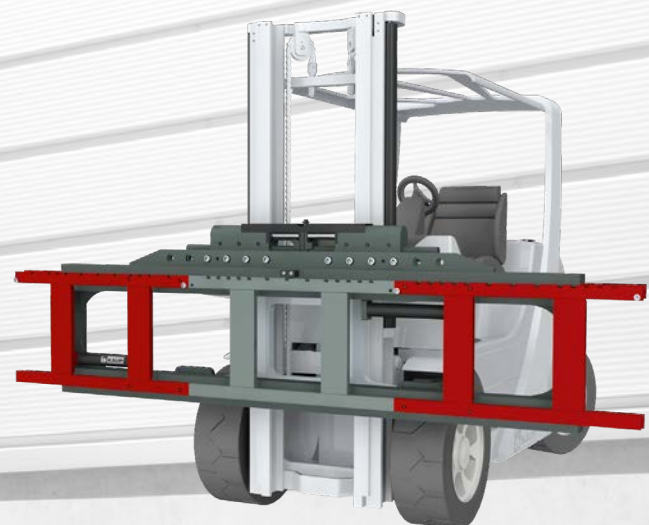
- Highly efficient forklift truck operation by simultaneous pick up of two, three, four or five load units.
- Maximum residual capacity due to minimum weight and minimum lost load centre.
- Optimum view through and over the attachment.
- Profile guided fork carriages ensure high precision of sideshift stroke and a minimum of wear and tear, even under extreme operating conditions.
- The two, three, four or five additional fork carriages can be shifted simultaneously or individually by hydraulic function. Accordingly the load units can be joined or separated as necessary.
- Fitted with one basic sideshifter which shifts the complete attachment with load units laterally.
- Application only suitable when the exact number of load units are picked up every time.



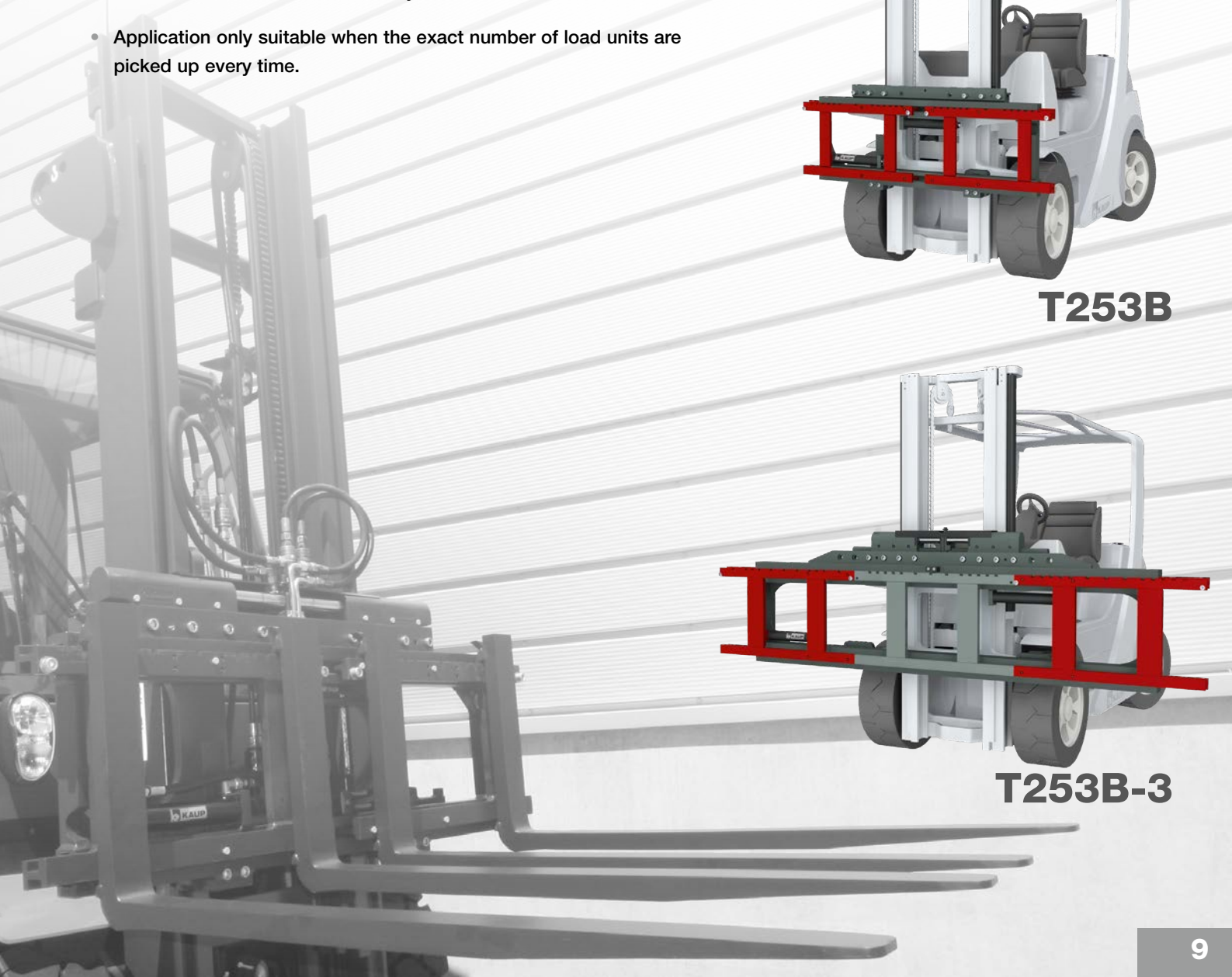
T252B



T253B



T253B-3

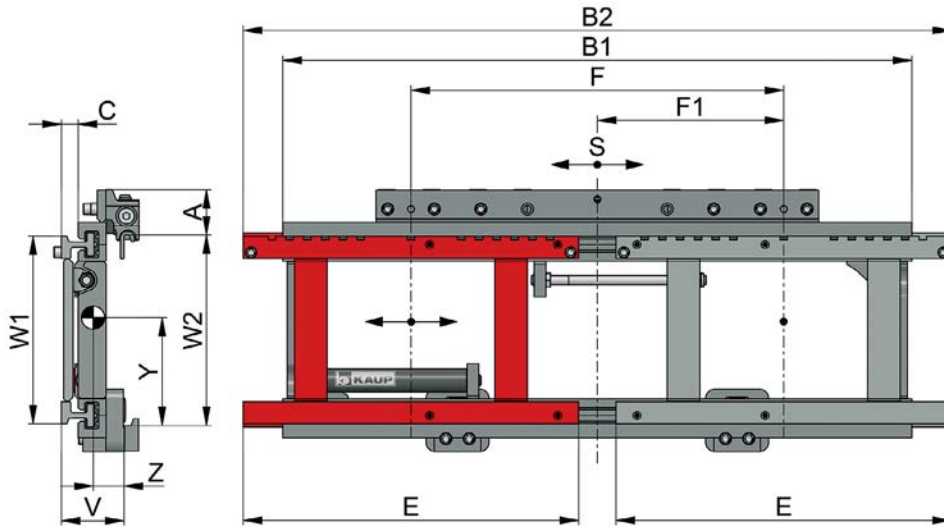




T180



SMOOTHROLL

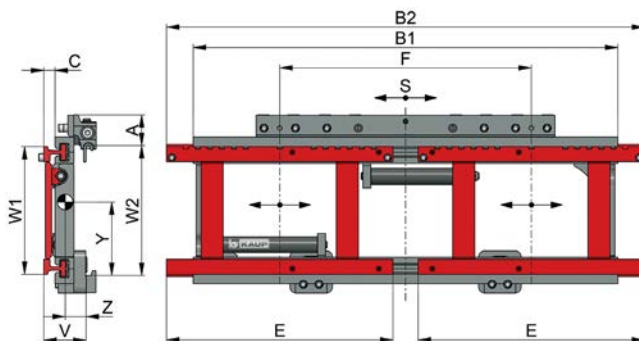


Double Sideshifter T252B 2 hydraulic functions

Model	Capacity per fork carriage		Mounting		Construction width					Adjusting range			CofG CofG _v			Weight kg
	kg	@mm	W1 ISO	W2 ISO	A mm	B1 mm	B2 mm	C mm	E mm	F mm	F1 mm	S mm	V mm	Z mm	Y mm	
2T252B-L	1.250	600	2	2	98	1.350	1.520	36	720	800-1.000	400	± 100	138	66	232	187
2T252B-Q	1.250	600	2	2	98	1.550	1.780	36	800	980-1.300	580	± 100	138	67	230	203
3T252B-L	1.750	600	2	3	85	1.350	1.520	36	720	800-1.000	400	± 100	138	64	255	219
3T252B-Q	1.750	600	2	3	85	1.550	1.780	36	800	980-1.300	580	± 100	138	66	251	237
4,5T252B-L	2.000	600	2	3	85	1.350	1.520	36	720	800-1.000	400	± 100	148	66	260	274
4,5T252B-Q	2.000	600	2	3	85	1.550	1.780	36	800	980-1.300	580	± 100	148	67	259	297
4,5T252B-Q	2.000	600	2	3	85	1.650	1.960	36	980	980-1.260	490	± 100	148	69	256	314
5T252B-L	2.750	600	3	4	118	1.460	1.520	41	720	800-1.000	400	± 100	153	74	315	348
5T252B-Q	2.750	600	3	4	118	1.550	1.780	41	800	980-1.300	580	± 100	153	75	312	363
6T252B-L	2.000	1.200	4	4	135	1.460	1.520	56	720	800-1.000	400	± 160	178	80	363	412
6T252B-Q	2.000	1.200	4	4	135	1.600	1.780	56	800	980-1.300	580	± 160	178	81	360	436

L = Pallet handling lengthwise / Q = Pallet handling crosswise.
 Capacities of 3T upwards with **SOFTSTOP** end-of-stroke slow-down.
 Please observe necessary fork shank under-clearance.
 Higher capacities and other construction widths available upon request.
 Load Backrest Model T179.





T180



SMOOTHROLL

Triple Sideshifter T253B 2 hydraulic functions¹⁾

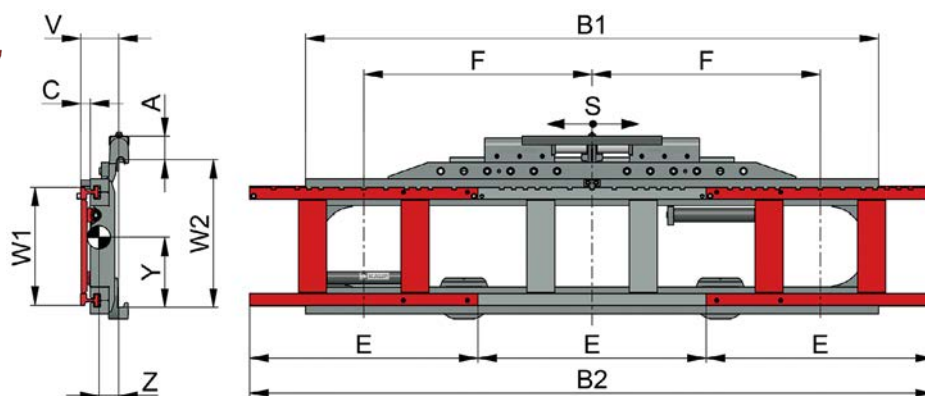
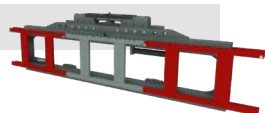
Model	Capacity per fork carriage		Mounting		Construction width							CofG CofG _v			Weight kg
	kg	@mm	W1 ISO	W2 ISO	A mm	B1 mm	B2 mm	C mm	E mm	F mm	S mm	V mm	Z mm	Y mm	
2T253B-L	1.250	600	2	2	98	1.350	1.520	36	720	800-1.200	± 100	138	66	234	191
2T253B-L/Q	1.250	600	2	2	98	1.550	1.600	36	800	800-1.440	± 100	138	67	231	207
3T253B-L	1.750	600	2	3	85	1.350	1.520	36	720	800-1.200	± 100	138	64	255	223
3T253B-L/Q	1.750	600	2	3	85	1.550	1.600	36	800	800-1.440	± 100	138	66	252	241
4,5T253B-L	2.000	600	2	3	85	1.350	1.520	36	720	800-1.200	± 100	148	66	262	277
4,5T253B-L/Q	2.000	600	2	3	85	1.550	1.600	36	800	800-1.440	± 100	148	67	258	299
4,5T253B-Q	2.000	600	2	3	85	1.650	1.960	36	980	980-1.540	± 100	148	69	255	317
5T253B-L	2.750	600	3	4	118	1.460	1.520	40	720	800-1.200	± 100	153	74	319	352
5T253B-L/Q	2.750	600	3	4	118	1.550	1.600	40	800	800-1.440	± 100	153	75	317	368
6T253B-L	2.000	1.200	4	4	135	1.460	1.520	56	720	800-1.200	± 160	178	81	366	431
6T253B-L/Q	2.000	1.200	4	4	135	1.600	1.600	56	800	800-1.440	± 160	178	82	363	457

L = Pallet handling lengthwise / Q = Pallet handling crosswise / L/Q = Pallet handling lengthwise and crosswise.

¹⁾ Alternatively available with solenoid valve for individual adjustment of the fork carriages.

Capacities of 3T upwards with **SOFTSTOP** end-of-stroke slow-down. Please observe necessary fork shank under-clearance.

Higher capacities and other construction widths available upon request. Load Backrest Model T179.



T180



SOFTSTOP

SMOOTHROLL

Triple Sideshifter T253B-3

with 3 sideshifting carriages - 2 hydraulic functions + solenoid valve/flow divider¹⁾

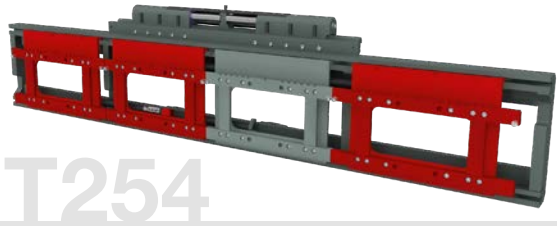
Model	Capacity per fork carriage		Mounting		Construction width							CofG CofG _v			Weight kg
	kg	@mm	W1 ISO	W2 ISO	A mm	B1 mm	B2 mm	C mm	E mm	F mm	S mm	V mm	Z mm	Y mm	
3T253B-L-3	900	600	2	3	85	2.100	2.160	35	720	720-1.000	± 100	148	73	250	375
3T253B-Q-3	900	600	2	3	85	2.700	2.940	35	980	980-1.260	± 100	158	77	234	524
3T253B-L/Q-3	900	600	2	3	85	2.950	2.400	35	800	800-1.390	± 100	158	76	234	537
6T253B-L-3	1.500	600	3	4	118	2.260	2.320	41	720	800-1.050	± 160	162	74	307	595
6T253B-Q-3	1.500	600	3	4	118	2.460	2.940	41	980	980-1.230	± 160	162	77	330	645
6T253B-L/Q-3	1.500	600	3	4	118	2.460	2.320	41	720	800-1.200	± 160	162	75	333	620

L = Pallet handling lengthwise / Q = Pallet handling crosswise / L/Q = Pallet handling lengthwise and crosswise

¹⁾ Alternatively available with solenoid valve for individual adjustment of the fork carriages. Please observe necessary fork shank under-clearance. Higher capacities and other construction widths available upon request.

Quadruple Sideshifter T254 and Quintuple Sideshifter T255

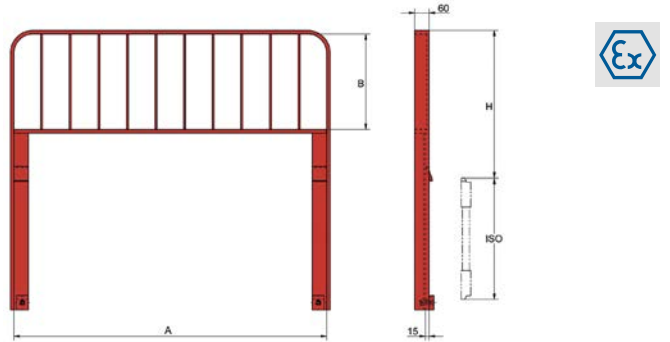
available upon request



T254



T255



Load Backrest T179 bracket mounted version

Model	A mm	B mm	H mm	ISO cl.	Weight kg
1 T 179	892	410	600	2	28
2 T 179	1.042	410	600	2	31
4 T 179	1.152	310	500	3	32
6 T 179	1.802	480	735	4	105

Maximum height H = 1.000 mm, otherwise upon request.



T151P2



T151P2



T253B-L/Q



T255

KAUP attachments correspond to the requirements of the valid EC regulations regarding quality, safety and technical documentation. All technical data are subject to alteration.

KAUP is certified acc. to DIN EN ISO 9001



Helping hands for your Forklift truck

KAUP GmbH & Co. KG

Braunstrasse 17 · D - 63741 Aschaffenburg

☎ +49 6021 865-0 · 📠 +49 6021 865-213

E-Mail: kaup@kaup.de · www.kaup.de