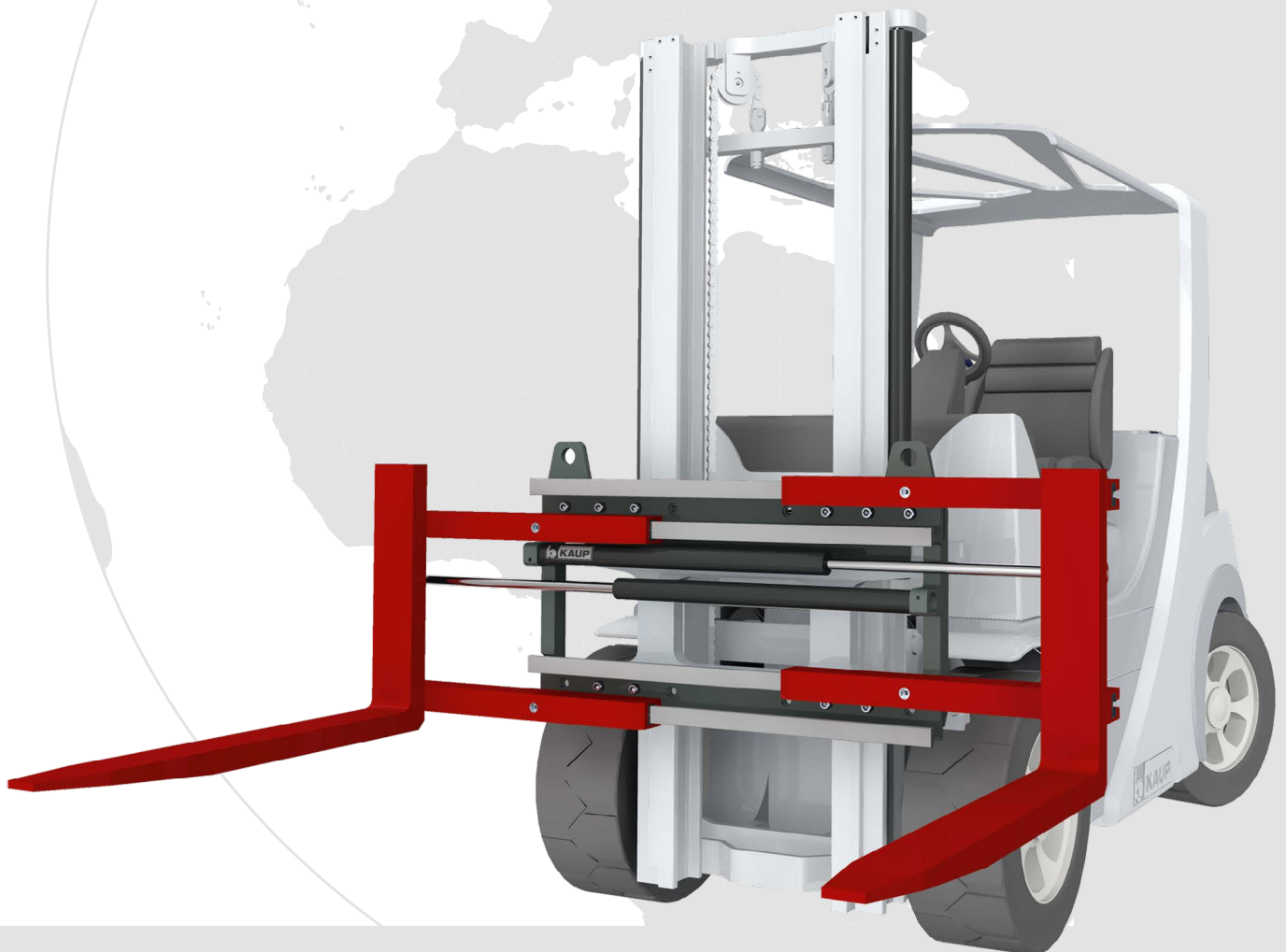




Helping hands for your Forklift truck

Fork Positioners

T410Z · T411Z · T411BZ/BZI · T411ZR



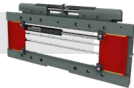
APPLICATION RECOMMENDATION - HEAVY DUTY

Along with Sideshifters, Fork Positioners are amongst the most commonly used attachments on forklift trucks. Fork Positioners are a valuable work aid wherever loads of varying widths need to be handled, requiring the fork spacing to be adjusted accordingly. Use of KAUP high-visibility Fork Positioners enables the truck operator to control fork spacing conveniently from the driver seat. This increases the operating efficiency of the forklift and greatly reduces accidents.

- Enlarging the supporting width improves the stability of wide loads while diminishing the risk of the load slipping off the forks.
- Adjusting the supporting width to the width of the load prevents over loading any part of the mast.
- The high-visibility design ensures the driver exact and precise working with the Fork Positioner which guarantees high job performance with a low risk of accidents.

Application recommendation for KAUP Fork Positioners

T156 / T163SN*
Light duty



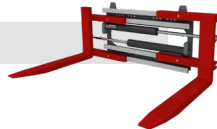
Fork carriage guided fork adjustment for pick-up of pallets with different widths · Principally level working conditions · Ideal for working in production halls i.e. relatively clean environment · Opening range restricted to the width of the attachment

T160(Z) / T466(Z)*
Medium duty



Frequent fork adjustment · Operating with long forks · Different kinds of goods and ways of handling (e.g. forwarders) · Outdoor operation · Opening range can be slightly larger than the width of the attachment

T411Z
Heavy duty



Heavy duty version · Load picked up between the forks · Use of long forks and load pick up at fork tips · Frequent load pick up with max. opening range and pick up to top limit of capacity · Uneven floors · Quick working cycles · Opening range much larger than the width of the attachment

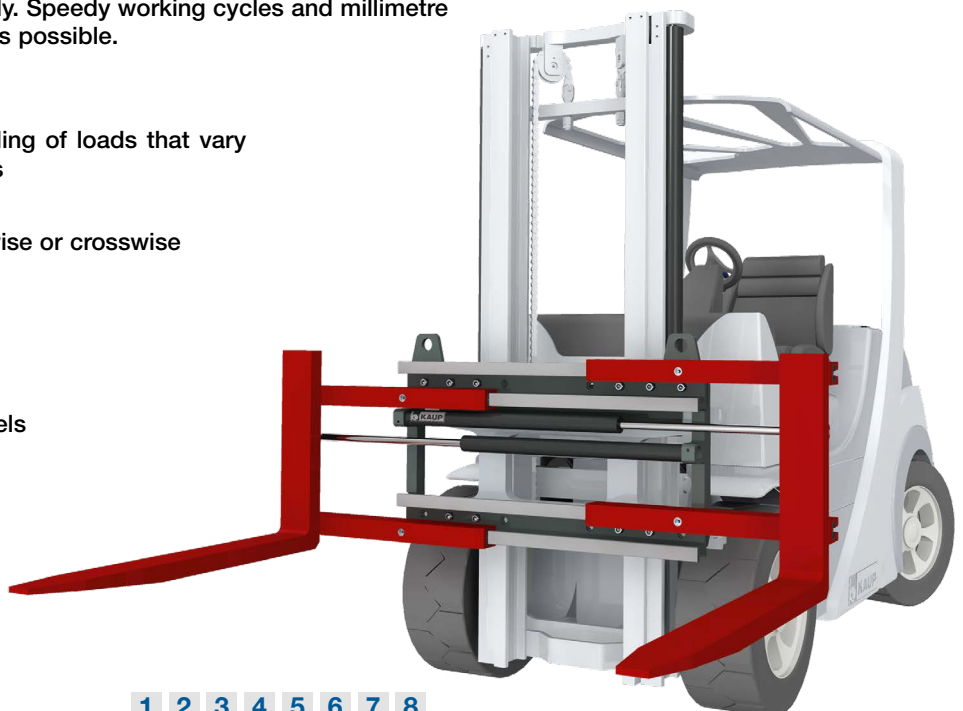
* further information can be found in the brochures showing the range T156 / T163SN and/or T160(Z) / T466(Z)

KAUP Fork Positioners range T411Z

The KAUP hook-on Fork Positioner T411Z is a robust attachment for exceptionally heavy duty operation - ideal for uneven surfaces. Spreading forces occurring, for example when handling coils (several) cable drums, rolls or wire coils, can readily be supported due to the large overlap of sectional profiles between fork guide and clamp body. Speedy working cycles and millimetre accurate positioning of the transport load is possible.

Perfect for the economical and safe handling of loads that vary widely in length, width or diameter, such as

- pallets and grate boxes carried lengthwise or crosswise
- rods
- pipes
- drums
- cable reels
- stacked chipboard or plasterboard panels
- wooden beams
- steel girders
- prefabricated concrete elements



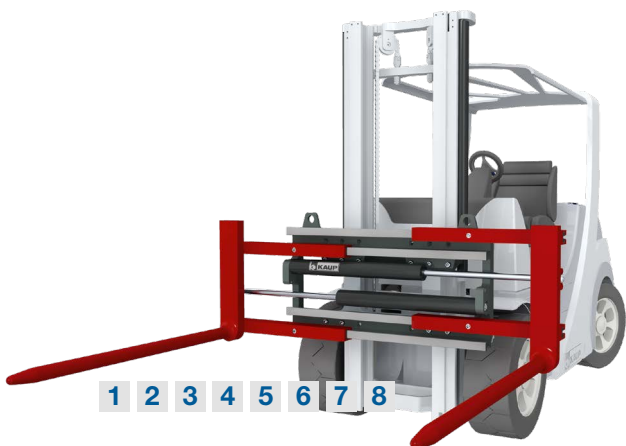
KAUP Fork Positioners range T410Z and T411ZR

The robust Fork Positioner T410Z is the perfect choice when a large opening range is required on a small construction width. This attachment is ideal for heavy duty operation and is supplied without forks. Numerous individual configurations are possible.



connection for forks according to ISO 2330

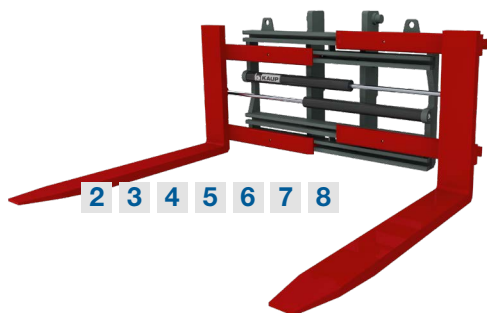
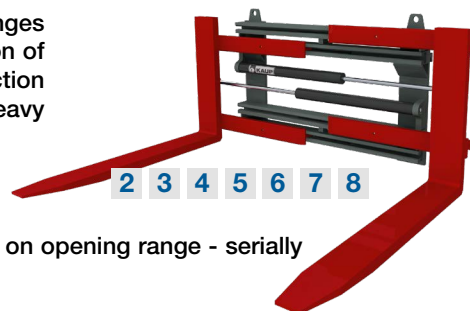
1 2 4 5 6 7



Fork Positioner with round forks T411ZR is specially designed for careful handling of cylindrical loads so that, e.g. paper rolls, rolls of carpet or coils, can be transported damage free between the two round forks.

KAUP Fork Positioners range T411BZ and T411BZI

The hook-on Fork Positioner T411BZ is a robust attachment with large opening ranges for exceptionally heavy duty operation - ideal for uneven surfaces. The construction of this Fork Positioner and the opening range significantly larger than the construction width predestines it for handling long loads and steel girders and especially for heavy duty operation in, for example, concrete plants.

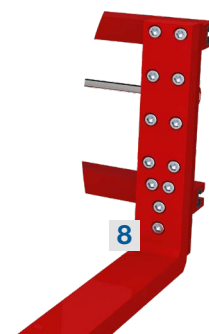
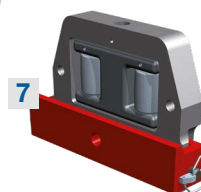
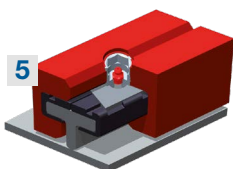
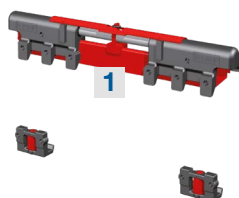


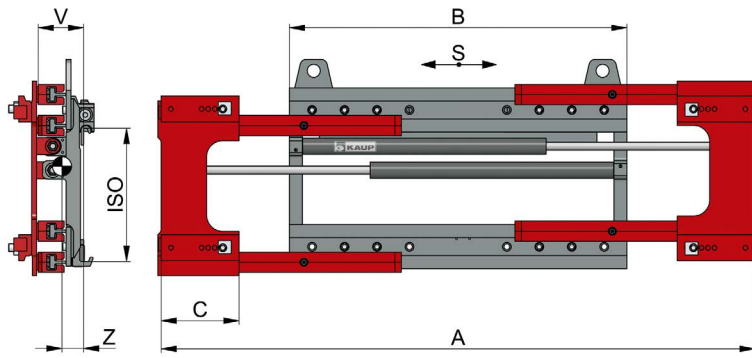
- valve block sideshift - dependent on opening range - serially
- also available without sideshift

The integrated version T411BZI is designed for direct integration in the lifting mast of the forklift truck. The residual capacity is, due to the slightly lower lost load centre in combination with lower weight through elimination of the fork carriage, is higher than the range T411BZ.

Product- and technical features

- 1 Separate sideshift with end-of-stroke slow-down **SOFTSTOP** and bottom brackets with roller guidance **SMOOTHROLL**
- 2 View-optimised design ensures best view to the tips of the forks and the load
- 3 Forks welded firmly to the guide profile for maximum stability and maximum residual capacity
- 4 Large overlap of sectional profiles between fork guide and clamp body for supporting spreading forces
- 5 Highly wear and tear resistant sliding profiles with optimal sliding properties
- 6 Extensive hydraulic features such as e.g. pressure relief valve and hoses with coupling serially
- 7 Accessories such as quick release brackets or load backrest available as option
- 8 Optionally available with screw-on forks





Fork Positioner T410Z

with independent sideshift · without forks · for forks acc. to ISO 2330 · 2 hydraulic functions

Model	Capacity kg	LCD mm	S mm	A mm	B mm	C mm	ISO cl.	V mm	CofG Z mm	Weight kg
1T 410 Z	1.500	500	± 100	540-1.500	750	240	2	183	88	173
				540-1.720	970				87	196
				550-1.900	1.130				87	206
				530-1.930	1.200				86	211
1,6T 410 Z	2.300	500	± 100	530-1.710	1.040	240	2	188	86	231
				560-1.860	1.130				85	237
				560-2.060	1.330				85	250
1,6T 400 Z	2.300	500	without	540-1.540	850	240	2	181	81	212
2,5T 410 Z	2.800	500	± 100	530-1.710	1.040	240	2	198	91	245
				560-1.860	1.130				90	251
				560-2.060	1.330				89	264
2,5T 400 Z	2.800	500	without	540-1.540	850	240	2	191	86	225
2,5T 410 Z	3.000	500	± 100	560-1.860	1.130	240	3	208	84	281
				560-2.060	1.330				84	295
				560-2.170	1.460				94	392
3T 410 Z	3.600	500	± 100	560-1.860	1.130	240	2 / 3	223	95	374
				560-2.060	1.330				94	392
				550-2.170	1.460				94	403
4T 410 Z	4.150	500	± 100	560-1.860	1.130	240	3	233	100	420
				560-2.060	1.330				99	440
				550-2.170	1.460				99	452
4,5T 410 Z	5.000	500	± 100	580-1.930	1.200	240	3	258	114	483
				540-1.980	1.330				113	499
				570-2.170	1.460				112	515
				580-2.280	1.550				112	526
4,8T 410 Z	5.000	600	± 100	580-1.930	1.200	240	3	253	113	487
				540-1.980	1.330				112	501
				570-2.170	1.460				111	517
				580-2.280	1.550				111	527
5T 410 Z	6.200	600	± 160	530-2.160	1.550	260	4	260	99	610
				800-2.700 ¹⁾	1.550				102	670
				530-2.430	1.820				99	643

1) Transport of europallets lengthwise not possible.

Not suitable for clamping between the forks.

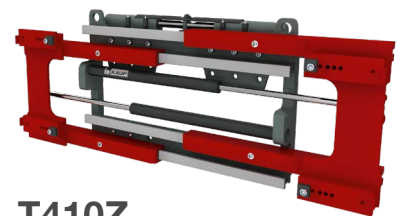
Fork Positioner with cylinder- and sideshift protection upon request.

Load Backrest Model T479. Forks suitable for above attachments available upon request.

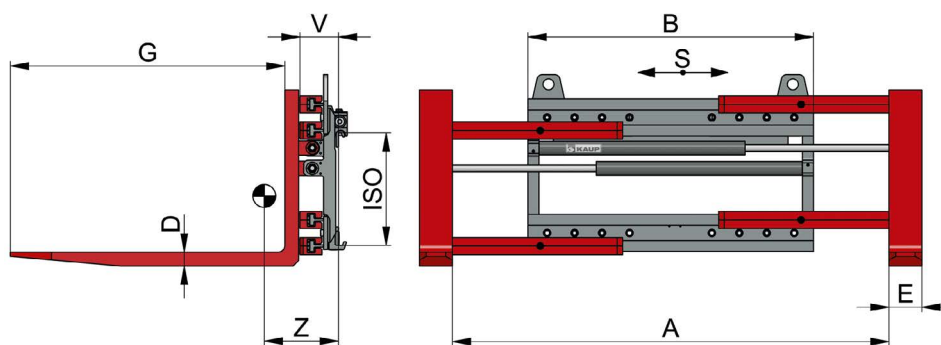
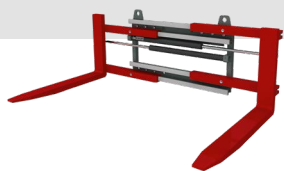
Fork Positioner without sideshift model T400Z.



1.6-2.5T410Z



T410Z



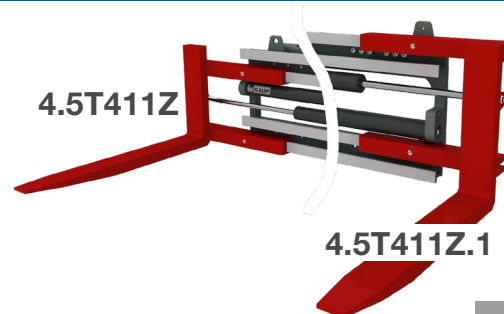
Fork Positioner T411Z with independent sideshift · 2 hydraulic functions

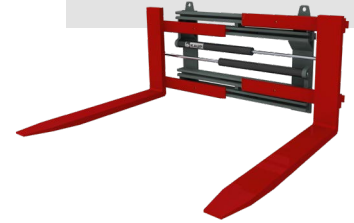
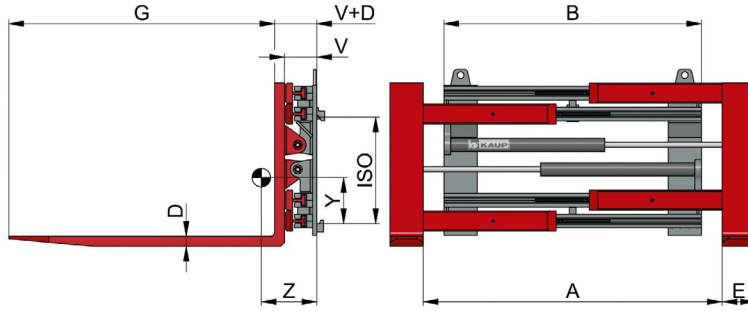
Model	Capacity kg	LCD mm	S mm	A mm	B mm	D mm	E mm	G mm	ISO cl.	V mm	CofG Z mm	Weight kg
1T 411 Z	1.500	500	± 100	340-1.300	750	40	100	1.200	2	133	268	237
				340-1.520	970						251	259
				350-1.700	1.130						244	270
				330-1.730	1.200						241	274
1,6T 411 Z	2.300	500	± 100	290-1.470	1.040	45	120	1.200	2	133	266	331
				320-1.620	1.130						262	337
				320-1.820	1.330						255	351
1,6 T401 Z	2.300	500	without	300-1.300	850	45	120	1.200	2	126	277	310
2,5T 411 Z	2.800	500	± 100	290-1.470	1.040	50	120	1.200	2	143	272	360
				320-1.620	1.130						269	367
				320-1.820	1.330						262	379
2,5T 401 Z	2.800	500	without	300-1.300	850	50	120	1.200	2	136	285	330
2,5T 411 Z	3.000	500	± 100	320-1.620	1.130	50	120	1.200	3	143	253	390
				320-1.820	1.330						247	402
3T 411 Z	3.600	500	± 100	260-1.560	1.130	50	150	1.200	2/3	152	259	495
				260-1.760	1.330						253	513
				130-1.630	1.460						250	522
				250-1.870	1.460						249	524
4T 411 Z	4.150	500	± 100	260-1.560	1.130	50	150	1.200	3	162	248	559
				260-1.760	1.330						243	578
				130-1.630	1.460						240	589
				250-1.870	1.460						239	591
4,5T 411 Z	5.000	500	± 100	280-1.630	1.200	60	150	1.200	3	188	258	652
				240-1.680	1.330						254	667
				270-1.870	1.460						250	682
				280-1.980	1.550						248	695
4,5T 411 Z.1	5.000	500	± 100	280-1.630	1.200	60	150	1.200	3	178	256	650
				240-1.680	1.330						252	664
				570-1.870	1.460						249	679
				280-1.980	1.550						246	690
4,8T 411 Z	5.000	600	± 100	280-1.630	1.200	70	150	1.200	3	178	280	696
				240-1.680	1.330						277	710
				270-1.870	1.460						273	725
				280-1.980	1.550						270	736
5T 411 Z	6.200	600	± 160	190-1.690	1.460	70	150	1.200	4	176	250	807
				230-1.860	1.550						247	819
				500-2.400 ¹⁾	1.550						239	879
				230-2.130	1.820						241	850

1) Transport of europallets lengthwise not possible.
 Not suitable for clamping between the forks.
 Load Backrest Model T479.
 Also available without sideshift, model T401Z.



T411Z also available with screw-on forks, model T411ZA.





Fork Positioner, wide version T411BZ

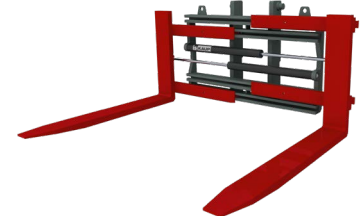
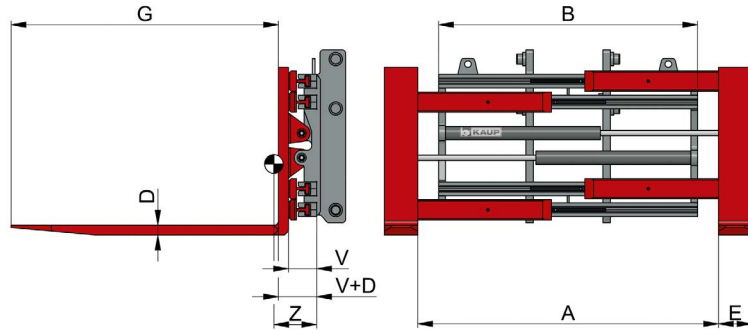
with valveblock sidseshift dependent on opening range · 2 hydraulic functions

Model	Capacity kg	LCD mm	A mm	B mm	D mm	E mm	G mm	VS max mm	ISO cl.	V mm	CofG Z mm	CofG _v Y mm	Weight kg
4T 411BZ	4.500	500	330-2.530	2.030	60	120	1.200	± 550	3	168	184	264	805
4,8T 411BZ	6.000	500	220-1.850	1.550	60	150	1.200	± 407,5	3	184	209	275	885
5T 411BZ	6.300	600	220-1.850	1.550	60	150	1.200	± 407,5	4	184	203	321	925
			180-2.080	1.860				± 475			195	325	1.010
			380-2.480 ¹⁾	1.860				± 525			195	326	1.014
6T 411BZ	8.000	600	170-1.800	1.550	60	200	1.200	± 407,5	4	194	233	314	1.165
			130-2.030	1.860				± 475			226	318	1.225
			330-2.430 ¹⁾	1.860				± 525			225	319	1.229
6T 411BZ	8.000	600	200-3.800 ¹⁾	3.390	50	300	1.200	± 900	4	194	218	315	1.545
8T 411BZ	8.000	900	210-1.840 ¹⁾	1.550	70	200	1.200	± 407,5	4	230	230	333	1.435
			330-2.530 ¹⁾	2.000				± 550			219	339	1.564
			400-2.900 ¹⁾	2.400				± 625			211	344	1.672
8T 411BZ ²⁾	5.000	1.200	2.600-5.600 ¹⁾	4.500	70	200	1.200	± 750	4	230	135	380	2.515

1) Transport of europallets lengthwise not possible. 2) Alternatively available with third fork in the centre.

Not suitable for clamping between the forks. Load Backrest Model T479.

T411BZ also available with screw-on forks, model T411BZA. Also available without sidseshift, model T401BZ.



Fork Positioner, wide version, integrated T411BZI

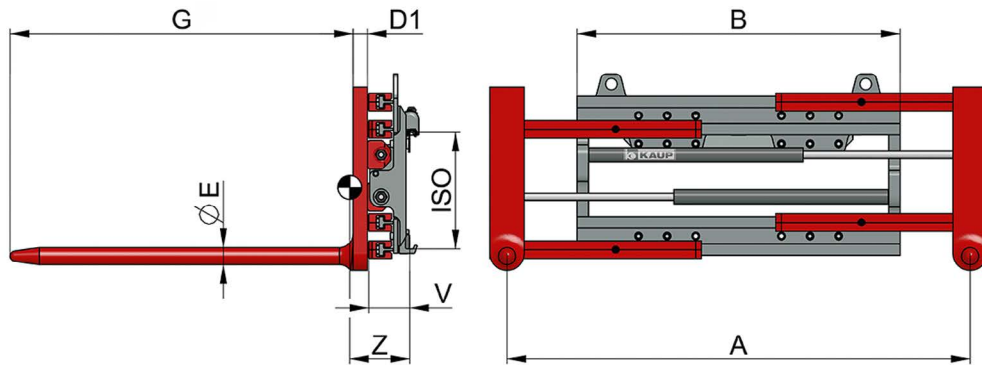
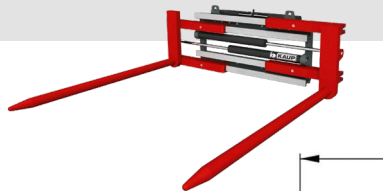
with valveblock sidseshift dependent on opening range · 2 hydraulic functions

Model	Capacity kg	LCD mm	A mm	B mm	D mm	E mm	G mm	VS max mm	V mm	CofG Z mm	Weight kg
4T 411BZI	4.500	500	330-2.530	2.030	60	120	1.200	± 550	139	138	848
5T 411BZI	6.300	600	220-1.850	1.550	60	150	1.200	± 407,5	159	193	840
			180-2.080	1.860				± 475		185	902
			380-2.480 ¹⁾	1.860				± 525		185	906
6T 411BZI	8.000	600	170-1.800	1.550	60	200	1.200	± 407,5	169	223	1.057
			130-2.030	1.860				± 475		216	1.117
			330-2.430 ¹⁾	1.860				± 525		215	1.121
6T 411BZI	8.000	600	200-3.800 ¹⁾	3.390	50	300	1.200	± 900	169	208	1.437
8T 411BZI	8.000	900	330-2.530 ¹⁾	2.000	70	200	1.200	± 550	188	199	1.424
			400-2.900 ¹⁾	2.400				± 625		191	1.532

1) Transport of europallets lengthwise not possible.

CofG and weight measurements do not take the cheek plates into account. Fork carriage drawings, roller studs and chain anchors to be supplied by customer if necessary. Not suitable for clamping between the forks. Load Backrest Model T479.

T411BZI also available with screw-on forks, modell T411BZIA. Also available without sidseshift, model T401BZI.



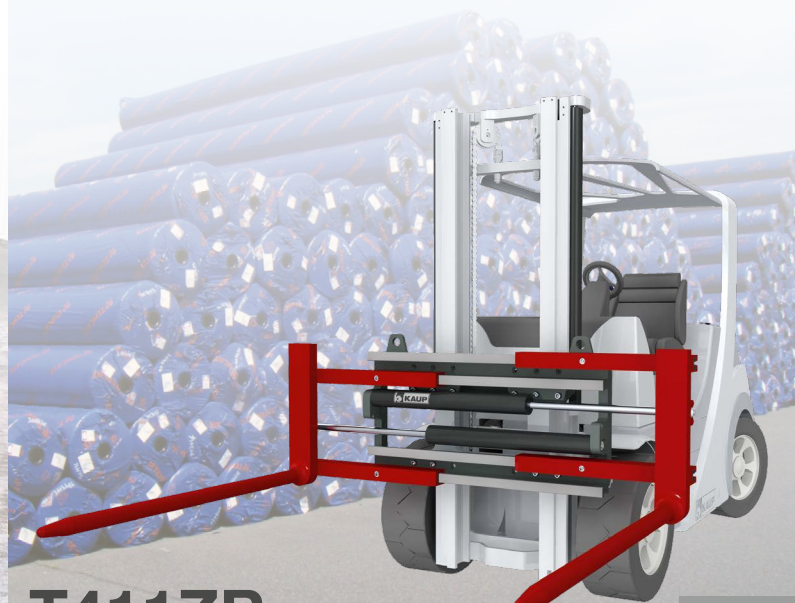
Fork Positioner with round forks T411ZR with independent sideshift · 2 hydraulic functions

Model	Capacity kg	LCD mm	S mm	A mm	B mm	D1 mm	E mm	G mm	ISO cl.	V mm	CofG Z mm	Weight kg
1T 411 ZR	1.500	500	± 100	420-1.380	750	50	60	1.200	2	133	245	235
				420-1.600	970	230	258					
				430-1.780	1.130	224	268					
				410-1.810	1.200	221	273					
1,5T 411 ZR	2.300	500	± 100	440-1.620	970	50	60	1.200	2	133	211	295
				160-1.060	970	215	285					
				450-1.800	1.130	207	305					
				210-1.390	1.200	205	308					
				430-1.830	1.200	205	310					
2T 411 ZR	2.800	500	± 100	400-1.500	970	50	70	1.200	2/3	143	210	316
				440-1.740	1.130	205	326					
				190-1.240	1.130	209	315					
				240-1.540	1.330	201	337					
				440-1.940	1.330	200	339					

Can be supplied without sideshift - model T401ZR.
 T411ZR also available with screw-on forks, model T411ZRA.
 Load Backrest Model T479.



T411BZR



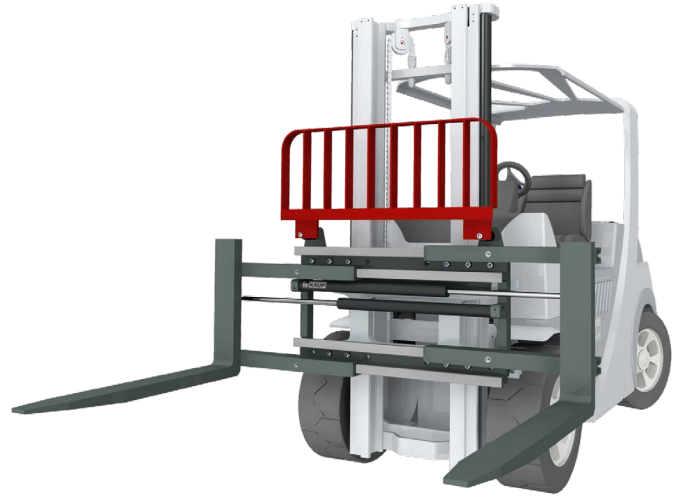
T411ZR

Load Backrest T479

for KAUP Fork Positioners T410Z - T411Z

Model	Width mm	Height mm	Weight kg
1T 479	970	500	26
1,5T 479	970	500	26
2T 479	1.130	500	28
3T 479	1.130	500	28
4T 479	1.130	500	32
5T 479	1.330	500	37
6T 479	1.550	500	48
8T 479	1.860	500	55
10T 479	2.060	500	78

Maximum height H = 1.000 mm, otherwise upon request.



Attachments in operation



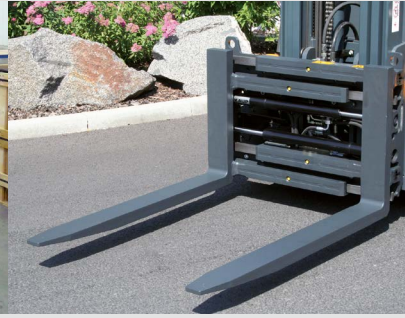
T410Z



T411Z



T411Z



T411Z



T411Z



T411Z



T411ZR



T411ZR



T411BZI



T411BZA



T411BZIA



T411BZ

KAUP attachments correspond to the requirements of the valid EC regulations regarding quality, safety and technical documentation. All technical data are subject to alteration.

KAUP is certified acc. to DIN EN ISO 9001



Helping hands for your Forklift truck

KAUP GmbH & Co. KG

Braunstrasse 17 · D - 63741 Aschaffenburg

☎ +49 6021 865-0 · 📠 +49 6021 865-213

E-Mail: kaup@kaup.de · www.kaup.de