



Helping hands for your forklift truck

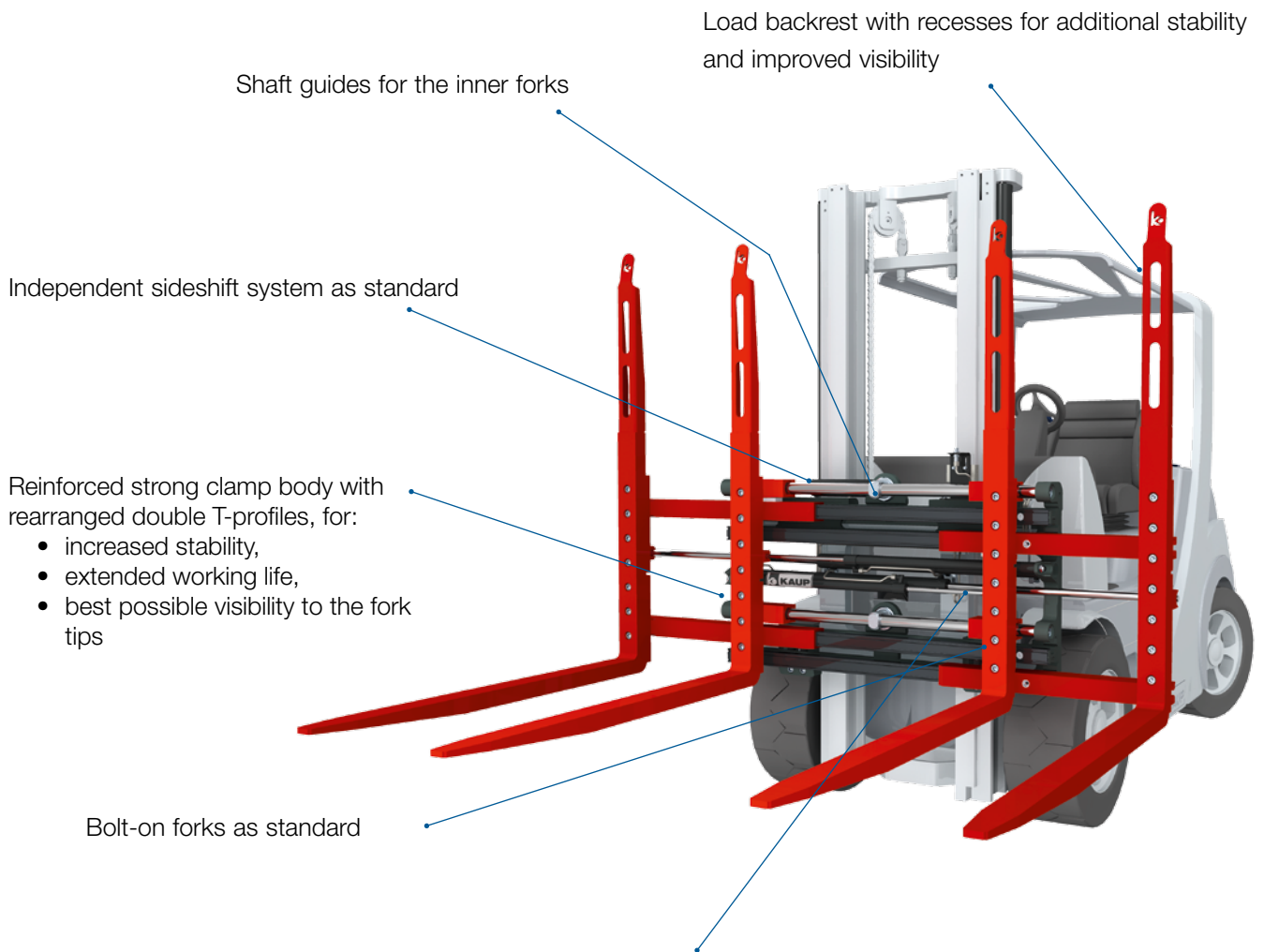


**T429C**



The KAUP **Double Pallet Handler** T429C sets new standards with regards to load centre, residual capacity and visibility to the tips of the forks and load through and over the attachment. The practice-orientated design composed from shaft guides, T-profiles and C-profiles ensures, even in heavy duty applications, highest stability, extended working life, long service intervals and a minimum of maintenance requirements. At the same time it consumes 20% less energy than the previous model.

The KAUP **Double Pallet Handler** T429C is the best choice for transportation of 1 or 2 pallets next to each other and/or 2 or 4 pallets in front and next to each other.



- NEW!** Hydraulic cylinders for adjusting the inner guides, for:
- increased adjusting force,
  - quicker opening and closing cycles,
  - less maintenance,
  - extended working life.



## Visibility, lost load centre & residual capacity

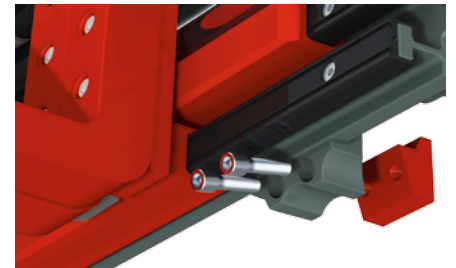
- **Optimal visibility** with rearranged T-profiles-, firmly installed steel hoses and recesses in the load backrest
- Minimum **low lost load centre** and **increased residual capacity** with shaft guides, different sideshift cylinder arrangement and a welded sideshift unit



## Service and maintenance friendly

New roller carriers and new lower brackets enable:

- assembly and disassembly of the attachment in **every** fork position
- easy assembly and disassembly of brackets and supporting rollers



## Individual pallet handling

What is necessary for handling different types of pallets? Adaptable opening ranges and independent control of single fork pairs on the two versions of

### **Double Pallet Handler** T429C:

- **Standard version** for handling one type of pallet
- **Advanced version** for handling two types of pallets
- **Customized version** with individually adjustable fork pairs for more than two types of pallets and for block stacks



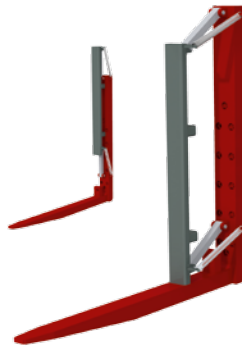


In order to load and unload 1 or 2 pallets double deep the **Double Pallet Handler** T429C can be combined with a Pantograph type T149Z.



## Lots of possibilities: individual solutions for every application

Individual construction widths, opening ranges and load capacities • load backrest optimized and customized in height and design • load stabilizer T124 and T129 for securing the load • different fork lengths and cross sections • maintenance free sliding profiles • forks with pallet retaining lip • mechanical or hydraulic hinged load stops for safe transportation of different types and sizes of pallets.



Load stop

T129

T124

Additional accessories for Double Pallet Handlers T429C are available upon request.



Helping hands for your Forklift truck

**KAUP GmbH & Co. KG**

Braunstrasse 17 · D - 63741 Aschaffenburg

☎ +49 6021 865-0 · 📠 +49 6021 865-213

✉ zentrale@kaup.de · www.kaup.de

KAUP attachments correspond to the requirements of the valid EC regulations regarding quality, safety and technical documentation. All technical data are subject to alteration.

KAUP is certified acc. to DIN EN ISO 9001

