



Helping hands for your Forklift truck

## Cask Handler

0.3T415W · 0.3T415WD



0.3T415W · 0.3T415WD

## KAUP Cask Handler 0.3T415W

The KAUP Cask Handler 0.3T415W opens up new dimensions in internal transport logistics.

Fitted with the 0.3T415W every forklift truck can take over all transportation requirements in warehouses and cellars quickly, securely and efficiently which, to date, was done manually and therefore very time consuming.

Designed for working in confined spaces the 0.3T415W can handle stacked casks (empty or filled with wine, whisky etc.) as well as stack and retrieve them even in narrow passages – and this to the left or right in driving direction.

The carrying rams of the attachment are fitted with adjustable rubber rollers which allow handling of nearly all sizes and versions of wine and spirit casks.



## Turning the cask

↻ 180°



The KAUP Cask Handler 0.3T415W can turn casks sideways precisely and step less up to 180°.

Thus the 0.3T415W can lift and place casks to the left and / or right in driving direction.

Driving inaccuracies can be compensated and time consuming maneuvering or damage to the cask prevented.

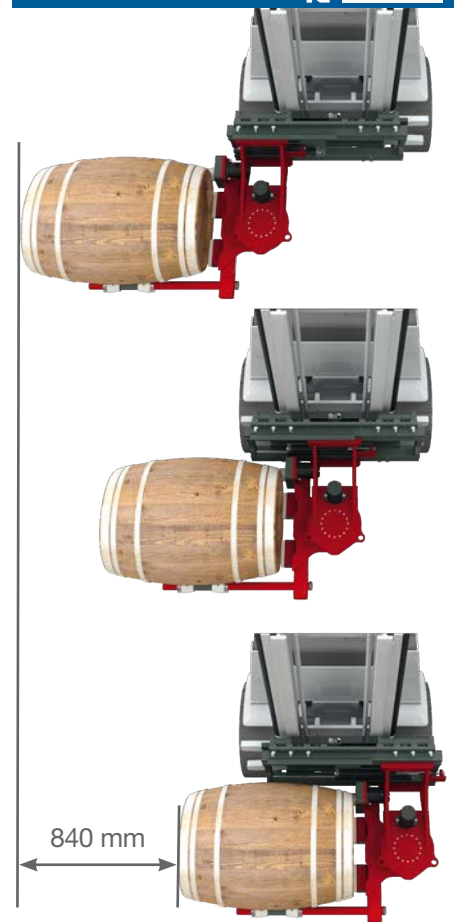


## Lateral shift of the cask

The cask can be shifted laterally, crosswise to driving direction, by up to 840 mm to safely remove them from a stack or off a shelf.

Designed with independent sideshift the KAUP Cask Handler can be shifted laterally by  $\pm 100$  mm. In addition the carriage can be shifted  $\pm 320$  mm within the frame so that a total sideshift stroke of  $\pm 420$  mm is readily available.

↔ 840 mm



## Rolling the cask

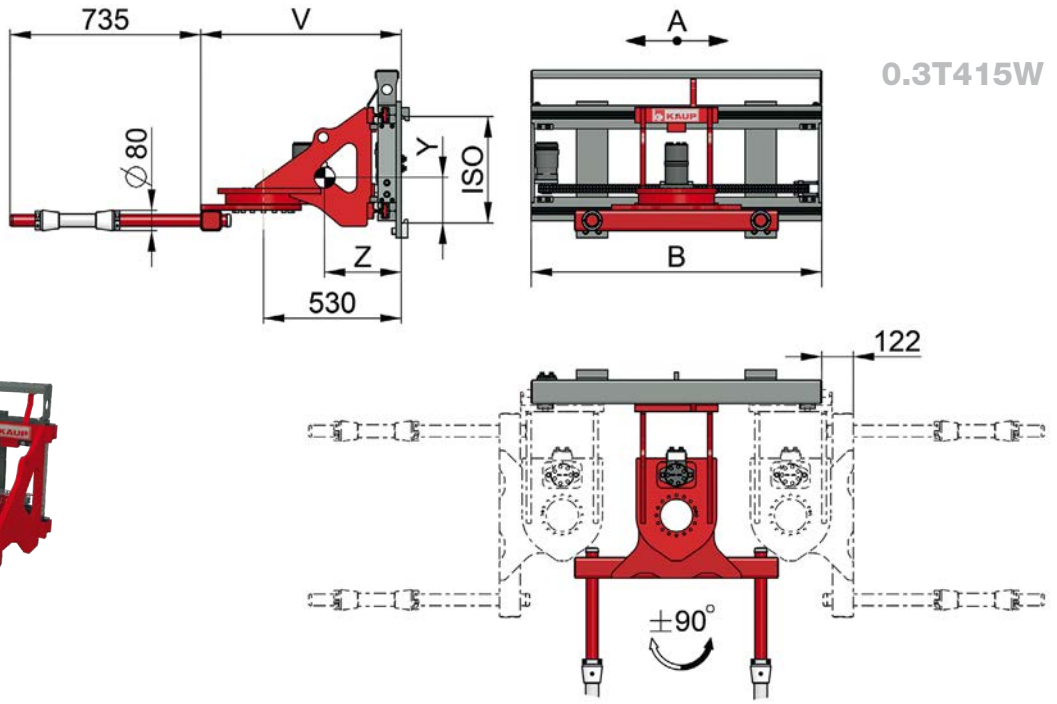
The rams of the KAUP Cask Handler 0.3T415W are fitted with mechanical rolling castors.

In the position „crosswise to driving direction“ the driver can gently set the cask down and drive slowly forwards. Thus the cask is rolled and, at the same time, guided between the rams.

Rolling the casks manually in order to mix the contents or empty the cask (e.g. after cleaning) can be done by the forklift truck more quickly and efficiently. Additionally casks stacked in blocks can be easily raised in order to rotate them manually with very little physical force.

One of the rams of the KAUP Cask Handler 0.3T415WD is fitted with hydraulically rotating rollers in order to mix the contents or to empty the cask.



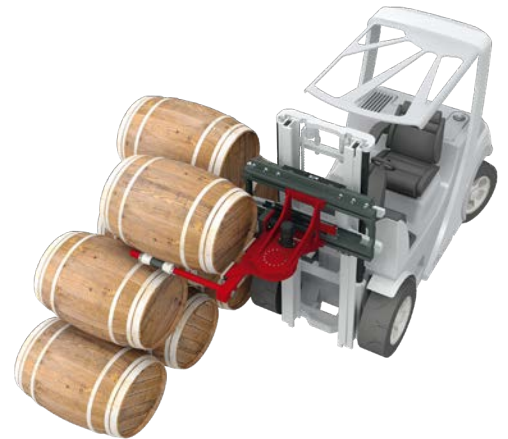


## Cask Handler 0.3T415W / WD

with independent sideshift · 2 hydraulic functions

Model	Capacity kg	LCD mm	Adjusting range A mm	construction width B mm	ISO class	V mm	CofG Z mm	CofG <sub>v</sub> Y mm	Weight kg
0.3T 415 W	300	475	± 440	1.120	2	773	296	176	250
0.3T 415 WD*	300	475	± 440	1.120	2	853	333	171	265
0.6T 415 W	600	400	± 400	1.120	2	1.230	530	153	285

\* One of the rams is fitted with hydraulically rotating rollers.  
Differing lengths of rams and versions for various shaped drums upon request.  
Optionally available with rubber buffers instead of rollers.



KAUP attachments correspond to the requirements of the valid EC regulations regarding quality, safety and technical documentation.  
All technical data are subject to alteration.

KAUP is certified acc. to DIN EN ISO 9001



Helping hands for your Forklift truck

**KAUP GmbH & Co. KG**

Braunstrasse 17 · D - 63741 Aschaffenburg

☎ +49 6021 865-0 · 📠 +49 6021 865-213

E-Mail: kaup@kaup.de · www.kaup.de