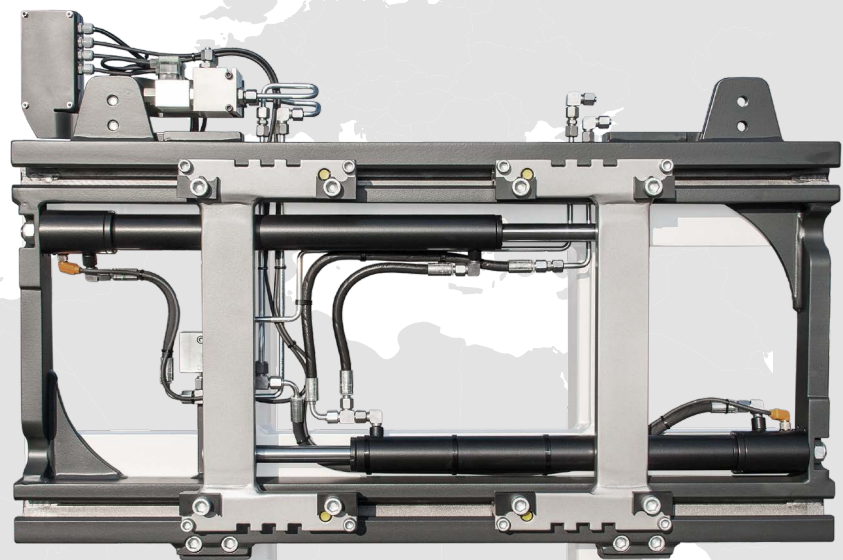




Helping hands for your Forklift truck

Fork Positioner T160B hybrid electronically controlled



e-controlled

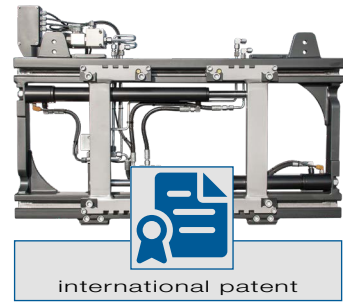
Fork Positioner T160B hybrid e-controlled



What makes the fork positioner T160B hybrid so special? It's not the drive because the attachment still uses hydraulic oil the same as all other well-known attachments. Rather, the control system of the fork positioner is surprising.



For the first time the control system enables electronically control and adaption of the sideshifting function on a valveblock fork positioner - 'e-controlled'. Thus the maximum permitted sideshift is always available so that the maximum possible load capacity can always be used. The Fork Positioner T160B - 'e-controlled': an attachment 4.0.



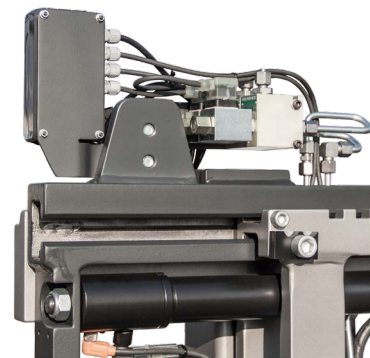
Fork Positioner T160B hybrid controlled via integrated PLC



The maximum available sideshift or the sideshift stroke required for a specific operation can be programmed and the fork positioner T160B hybrid stops sideshifting automatically when the given value is achieved.



The capacity of the forklift truck in combination with a valve-block sideshift attachment can, for the first time, be used without restriction as the sideshift cannot exceed the permitted values for the stability of the forklift truck.



Fork Positioner T160B hybrid with open interface



Due to the CAN-bus-interface, the fork positioner T160B hybrid can, as alternative, make all signals and information available to fully integrate it into the forklift truck control.

Possible functions and information:

- lifting height limit restricts sideshift stroke
- positioning of forks to preset values
- notification of sideshift in order to restrict lifting height to permissible values
- positioning of attachment, driving values, operational times, etc. can be reported back for evaluation of the truck control
- service and maintenance control related to actual use of attachment
- suitable for automatic guided vehicles (AGV)



Go online:

For additional information simply scan the adjacent QR-Code to access the website.



Helping hands for your Forklift truck

KAUP GmbH & Co. KG
 Braunstrasse 17 · D - 63741 Aschaffenburg
 ☎ +49 6021 865-0 · 📠 +49 6021 865-213
 E-Mail: kaup@kaup.de · www.kaup.de

KAUP attachments correspond to the requirements of the valid EC regulations regarding quality, safety and technical documentation. All technical data are subject to alteration.

KAUP is certified acc. to DIN EN ISO 9001

